

A high-contrast, close-up photograph of a metal gear. The gear is the central focus, with its teeth and the circular body of the gear clearly visible. The lighting is dramatic, highlighting the metallic texture and the sharp edges of the teeth against a dark background. The gear is positioned diagonally across the frame.

SPARE PARTS

2011

We make life easier for users through the constant development of better systems with high operational reliability and long service life. Couplings, manual, automatic and power-assisted, for steering axle and centre axle trailers of all weight classes. Underride protection, drawbars, drawbeams and other accessories. Our products undergo several stages of corrosion protection treatment. All meet the national and international standards for their respective markets.

Spare parts Coupling equipment 2011
© VBG GROUP TRUCK EQUIPMENT AB
Edition m, 2010-11-25

The contents in this publication may not be reproduced either in full, or in part, without the prior approval of VBG GROUP TRUCK EQUIPMENT AB in writing. This prohibition is applicable for all forms of reproductions in all types of media, including electronic media.

Graphic design
Isabell Bergman

VBG GROUP TRUCK EQUIPMENT AB reserve the right to amend or alter specifications at their discretion.

COUPLINGS

VBG 750V/795V/795VR	4
VBG 760	5
VBG 7310D	6
VBG 575V/590V/590VR	7
VBG 5190D	8
VBG 8500	9
VBG 8040	10
VBG 6000	11
VBG 620/623/627/3000	12
VBG 200	13
VBG 1050	14
VBG MFC	15

SERVICE TOOLS

.....	18
-------	----

POWER ACTUATORS

Power actuator version 1.0	19
Power actuator version 2.0	20
Power actuator version 3.0	21

UNDERRUN PROTECTION

.....	22
-------	----

DRAWBARS

Multi XF Drawbar D:130/162/179 kN	24
Optimal Drawbar	25
Automatic drawbar	25
Multi drawbar D:130/146 kN	28
Multi drawbar D:179 kN	29
Attachment parts	30

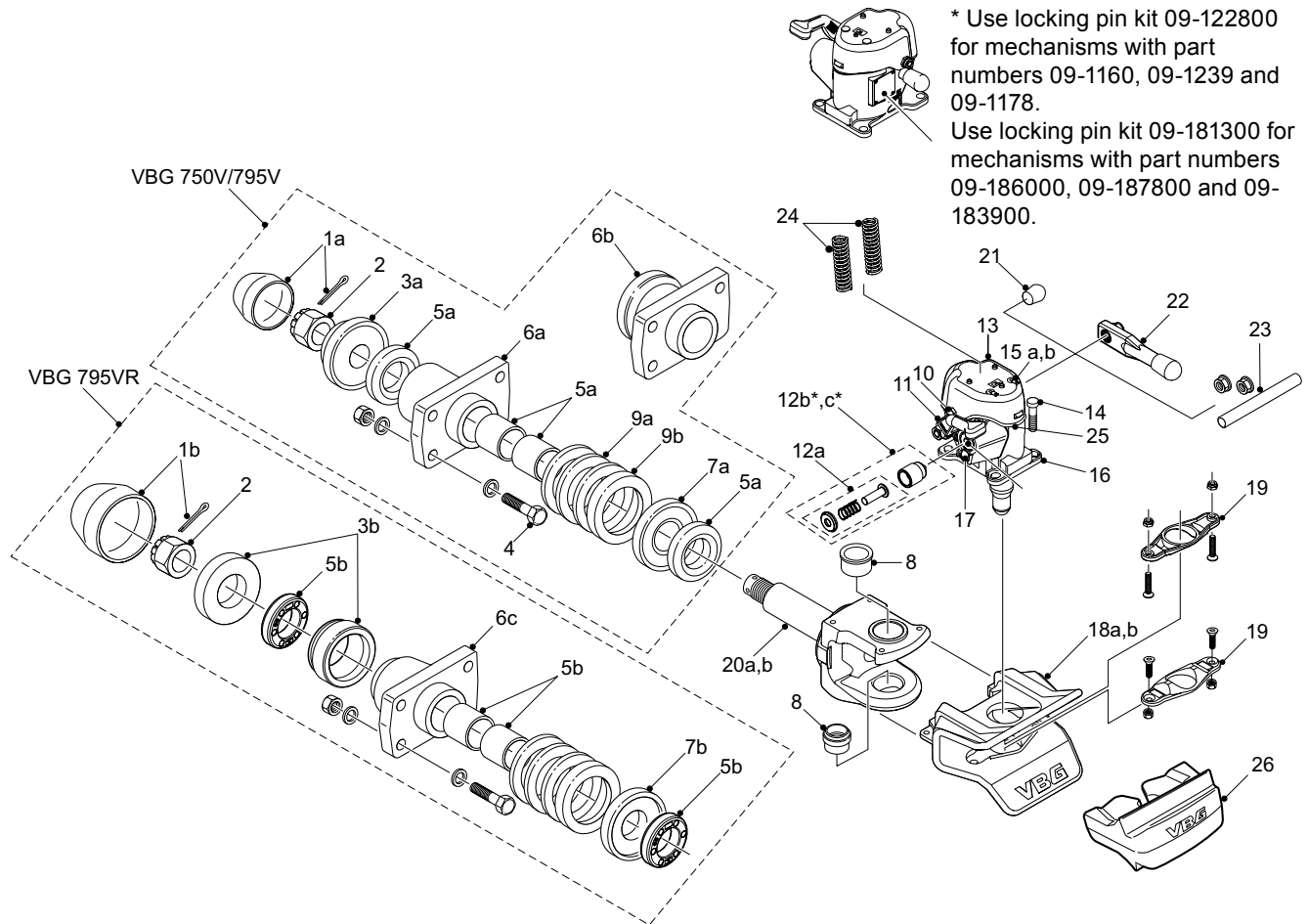
DRAWBAR EYES

.....	31
-------	----

POWER PLUGS

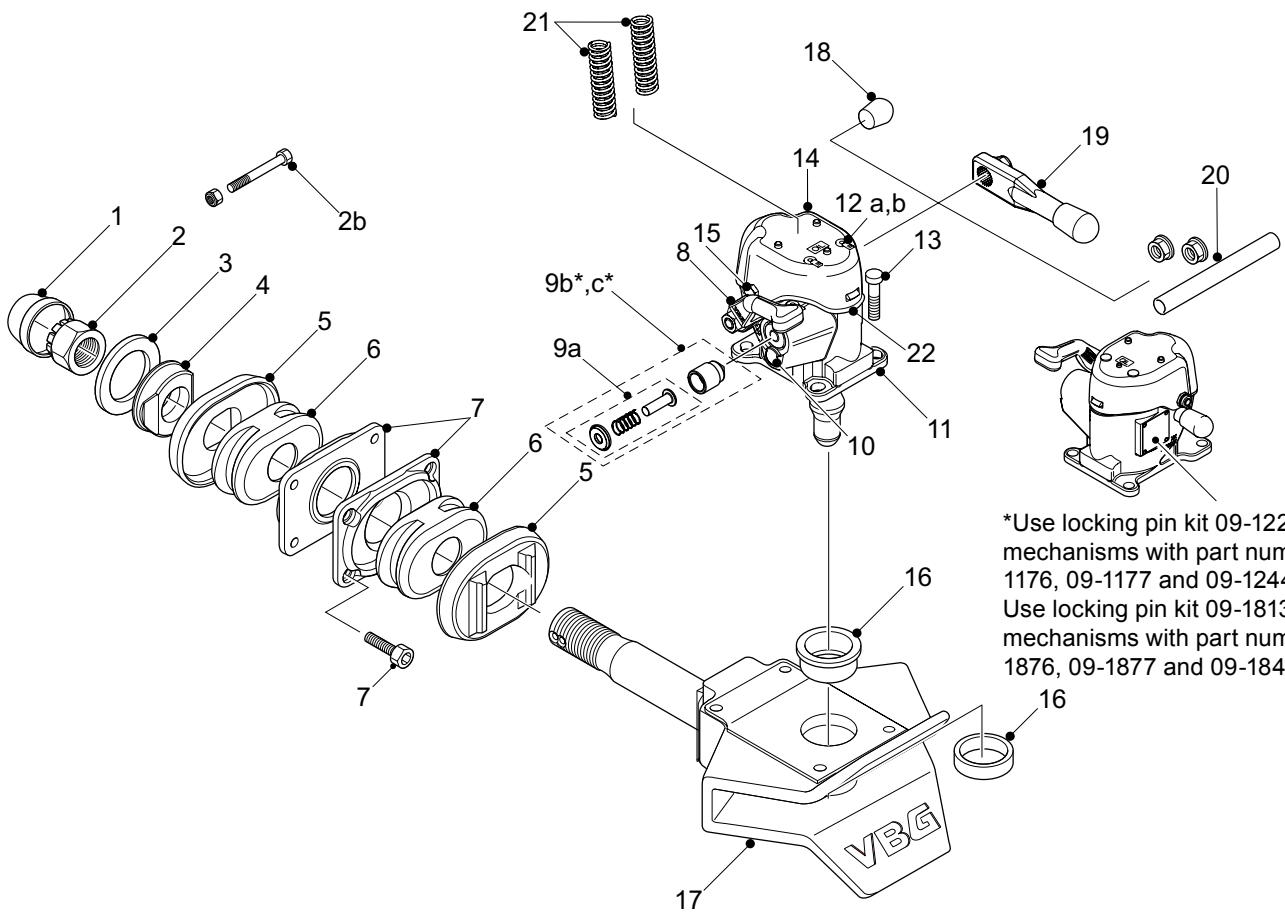
Power plug 14/17	32
Power plug 14/17 SAL	33

VBG 750V/795V/795VR



* Use locking pin kit 09-122800 for mechanisms with part numbers 09-1160, 09-1239 and 09-1178.
Use locking pin kit 09-181300 for mechanisms with part numbers 09-186000, 09-187800 and 09-183900.

Pos	Part No.	Description	Pos	Part No.	Description
1a	09-065400	Nut cover, incl. split pin 750V/795V	15a	09-177500	Grease plug, 10-pack
1b	09-125400	Nut cover, incl. split pin 795VR	15b	09-127000	Grease plug, 3-pack
2	36-021800	Castellated nut	16	09-119000	Mechanism incl Pos 8, 14, 19 (x2)
3a	18-054900	Bearing plate, inner	17	09-127100	Plastic plug
3b	09-125500	Bearing box kit 795VR, inner	18a	09-069700	Guiding funnel 795V/795VR
4	05-063400	Bolt kit	18b	09-069800	Guiding funnel 750V
5a	09-066200	Rubber bearing kit 750V/795V, incl pos 1a	19	09-066100	Wear plate (1 kit used for 750V and 2 kits for 795V/795VR)
5b	09-178400	Rubber bearing kit 795VR, incl pos 1b	20a	09-067100	Coupling jaw 795V/795VR incl pos 2, 8, 18a
6a	09-067300	Drawbeam sleeve VBG 795V incl pos 4, 5a	20b	09-067000	Coupling jaw 750V incl pos 2, 8, 18b
6b	09-067200	Drawbeam sleeve VBG 750V incl pos 4, 5a	21	09-123700	Cap
6c	09-125700	Drawbeam sleeve VBG 795VR incl pos 4, 5b	22	09-123300	Handle right
7a	18-054700	Bearing plate, outer 750V/795V	23	09-126400	Sleeve kit for handle 67 mm (for moving handle from left to right side)
7b	09-125800	Bearing plate, outer 795VR	24	09-126500	Closing spring kit
8	09-068400	Bushing	25	09-177600	Sealing kit, cover
9a	18-003000	Bar spacer washer 4 mm kit	26	09-014500	Protective insert
9b	18-066400	Bar spacer washer 10 mm		09-119700	Conversion kit 3.0, pos 16 and pos 11 p. 21
10	09-123600	Screw kit for mechanism cover		09-120100	Conversion kit 3.0, pos 16 and pos 11 p. 21, incl Sensor compl pos 26 p.21
11	09-123200	Handle left		09-119500	Renovation kit VBG 750V/795V, pos 5a, 16 and pos 11 p. 21
12a	09-126300	Signal pin kit		09-119900	Renovation kit VBG 750V/795V incl Sensor compl (pos 26 p. 21)
12b*	09-122800	Indicator & locking device		09-178500	Renovation kit VBG 795VR, pos 1b, 5b, 16
12c*	09-181300	Indicator & locking device			
13	09-123100	Mechanism cover complete kit			
14	09-120800	Bolt kit			

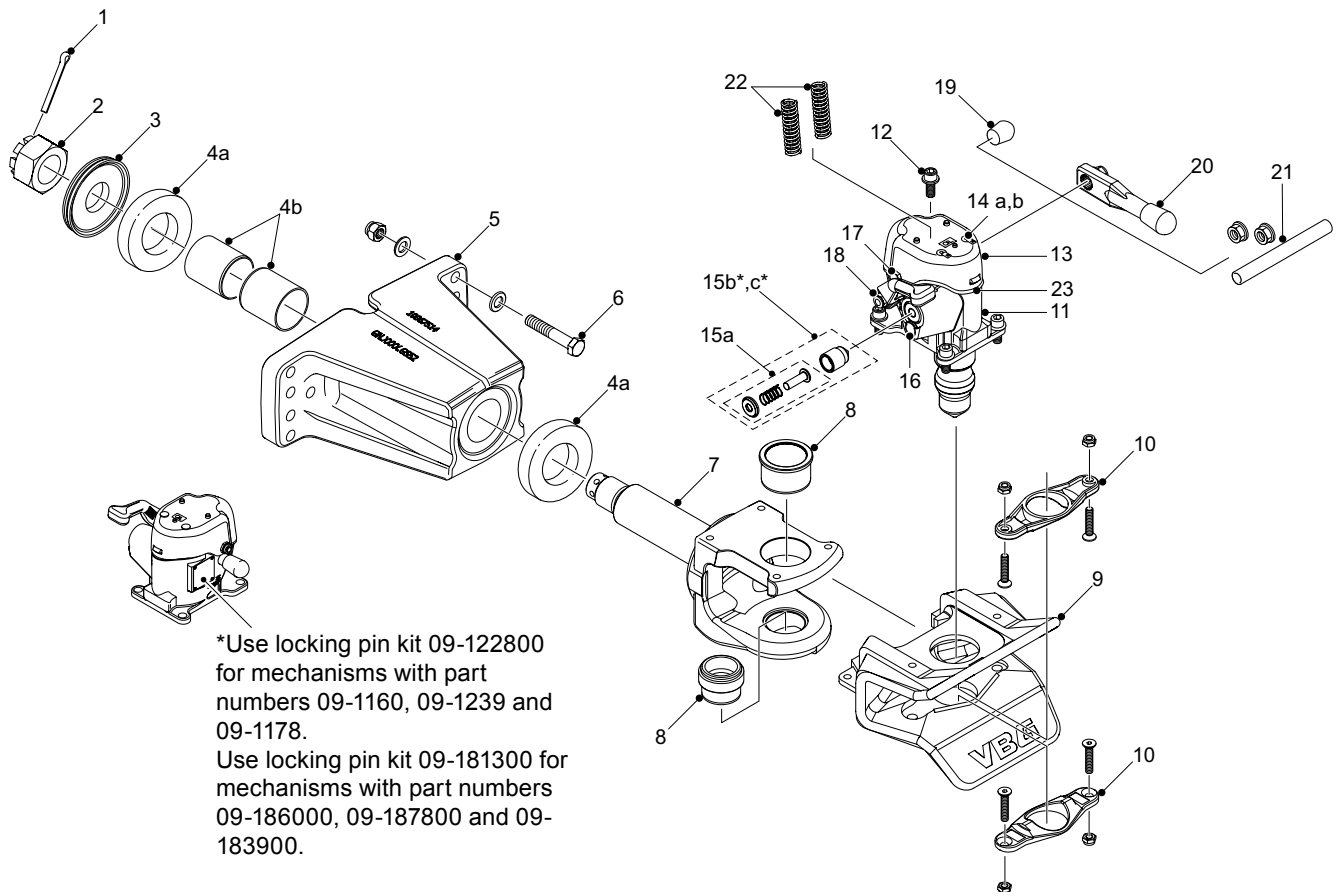


*Use locking pin kit 09-122800 for mechanisms with part numbers 09-1176, 09-1177 and 09-1244.
Use locking pin kit 09-181300 for mechanisms with part numbers 09-1876, 09-1877 and 09-1844.

Pos	Part No.	Description	Pos	Part No.	Description
1	18-000400	Nut cover	11	09-120200	Mechanism VBG 760 incl. Pos 13, 16
2	18-000300	Castellated nut incl. Pos 2b	12a	09-177500	Grease plug, 10-pack
2b	09-125000	Lock kit, castle nut	12b	09-127000	Grease plug, 3-pack
3	18-015700	Washer 6 mm	13	09-119300	Screw kit
4	18-076600	Nut washer	14	09-123100	Mechanism cover kit
5	18-003800	Bearing plate kit	15	09-123600	Screw kit for mechanism cover
6	18-003500	Rubber block kit incl. Pos 2b	16	18-000800	Bushing kit VBG 760
7	18-075300	Beam plates incl. screw	17	05-078700	Coupling jaw VBG 760 incl. castellated nut and Pos. 1, 16
8	09-123200	Handle left	18	09-123700	Cap
9a	09-126300	Signal pin kit	19	09-123300	Handle right
9b*	09-122800	Indicator & locking device	20	09-126400	Sleeve kit for handle 67 mm (for moving handle from left to right side)
9c*	09-181300	Indicator & locking device	21	09-126500	Closing spring kit
10	09-127100	Plastic plug	22	09-177600	Sealing kit, cover

09-120300 Conversion kit 3.0, pos 11 and pos 11 p. 21
09-120400 Conversion kit 3.0, pos 11 and pos 11 p. 21
incl Sensor complete (pos 26 p. 21)

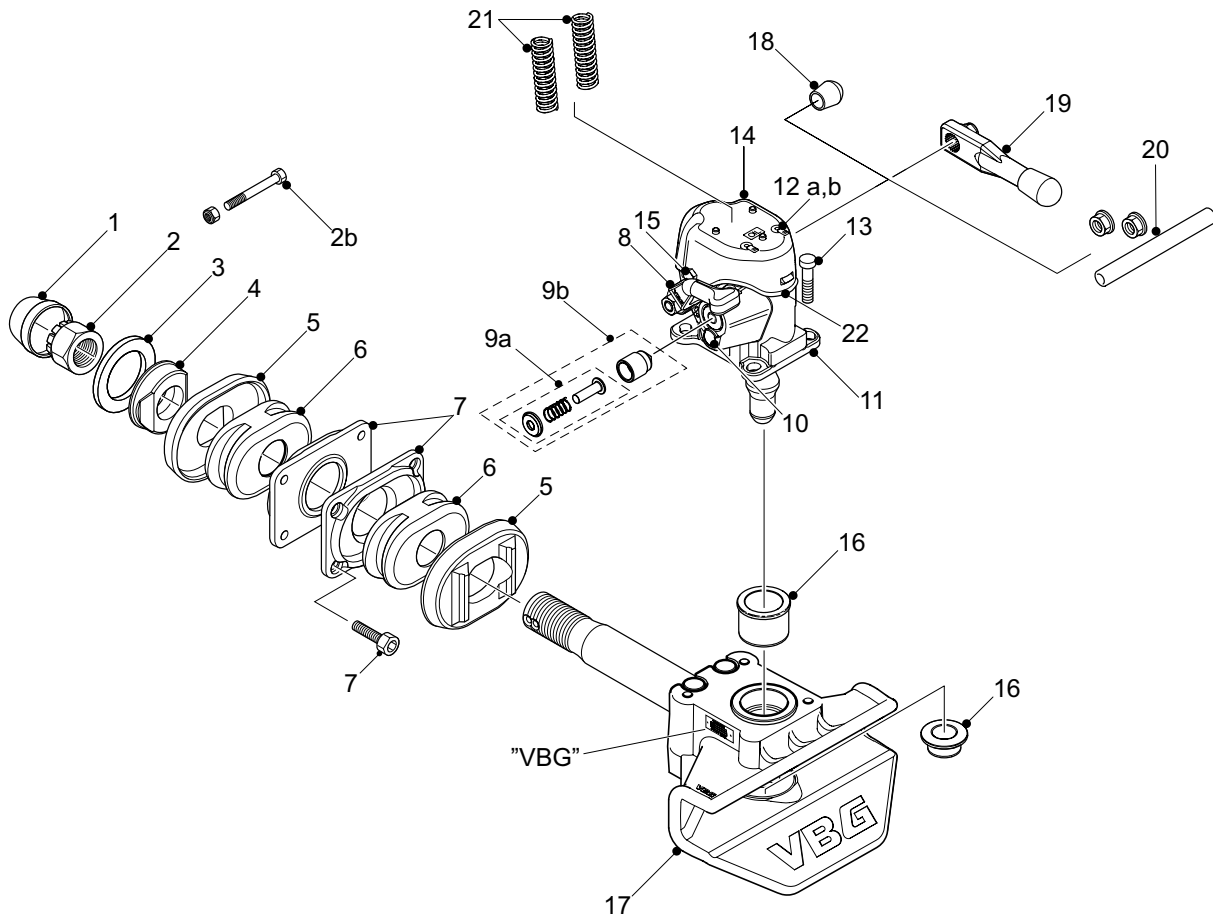
VBG 7310D



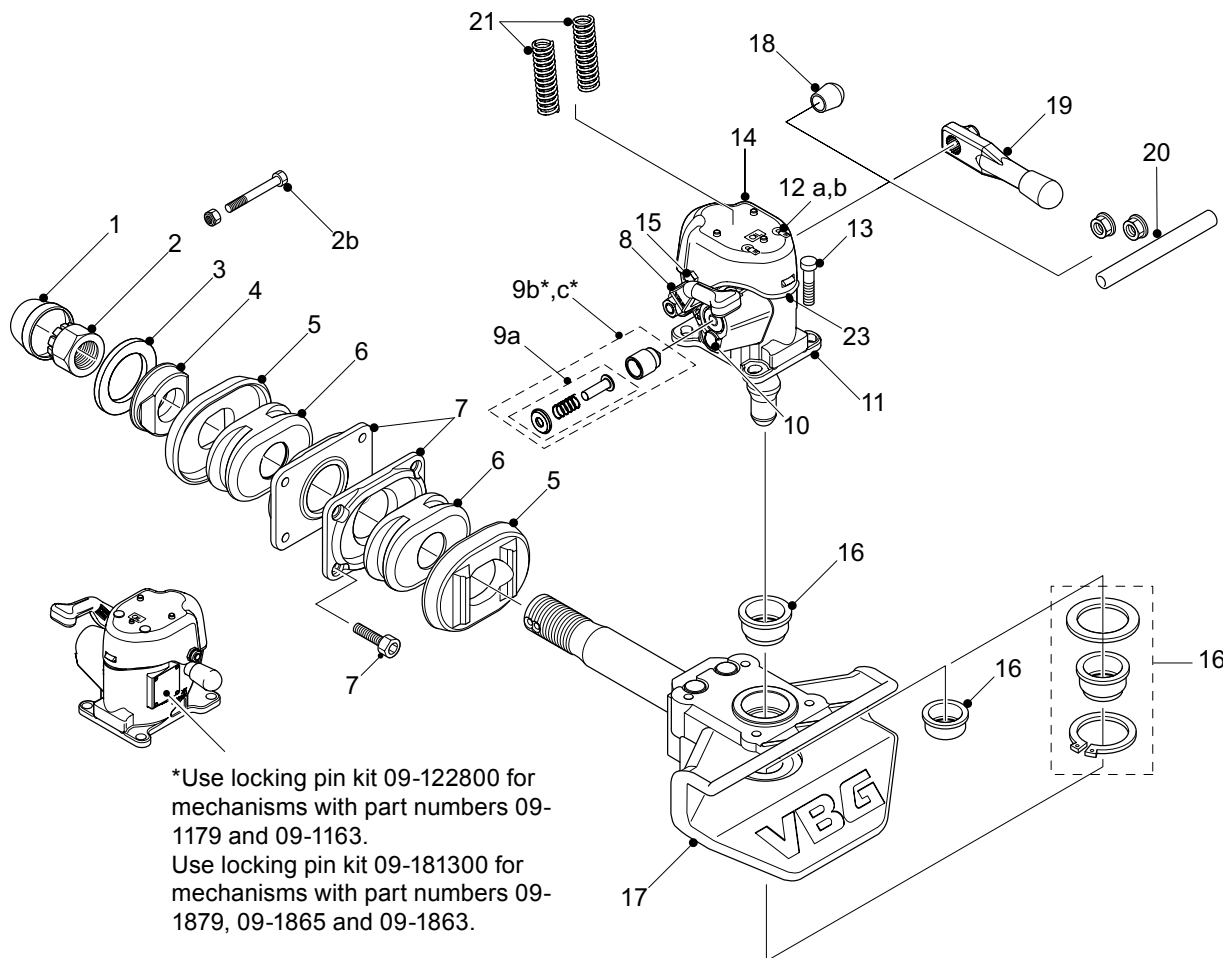
*Use locking pin kit 09-122800 for mechanisms with part numbers 09-1160, 09-1239 and 09-1178.
Use locking pin kit 09-181300 for mechanisms with part numbers 09-186000, 09-187800 and 09-183900.

Pos	Part No.	Description	Pos	Part No.	Description
1	09-126200	Cotter	13	09-123100	Mechanism cover complete kit
2	36-021800	Castellated nut	14a	09-177500	Grease plug, 10-pack
3	18-054900	Bearing box	14b	09-127000	Grease plug, 3-pack
4a, b	09-125900	Rubber element insert	15a	09-126300	Signal pin kit
5	09-126000	Drawbeam sleeve, incl. pos. 4b	15b*	09-122800	Signal and lock pin kit
6	09-126100	Bolt kit	15c*	09-181300	Signal and lock pin kit
7	09-067100	Coupling jaw	16	09-127100	Plastic plug
8	09-068400	Bushing kit	17	09-123600	Screw kit for mechanism cover
9	09-069700	Guiding funnel	18	09-123200	Handle, left
10	09-066100	Wear plate kit, 2 kits used	19	09-123700	Cap
11	09-119000	Mechanism incl. pos. 8, 12, 10 (x2)	20	09-123300	Handle, right
12	09-120800	Screw kit	21	09-126400	Sleeve kit for handle 67 mm (for moving handle from left to right side)
			22	09-126500	Closing spring kit
			23	09-177600	Sealing kit, cover

VBG 5190D



Pos	Part No.	Description	Pos	Part No.	Description
1	18-000400	Nut cover	14	09-123100	Mechanism cover, kit
2	18-000300	Castellated nut incl. pos. 2b	15	09-123600	Screw kit for mechanism cover
2b	09-125000	Lock kit, castle nut	16	09-129300	Bushing kit VBG 5190D
3	18-015700	Washer 6 mm	17	09-129200	Clamp VBG 5190D incl. castellated nut and pos. 1, 16
4	18-076600	Nut washer	18	09-123700	Cap
5	18-003800	Bearing plate kit	19	09-123300	Handle, right
6	18-003500	Rubber block kit incl. pos. 2b	20	09-126400	Sleeve kit for handle 67 mm (for moving handle from left to right side)
7	18-075300	Beam plates incl. screw	21	09-126500	Closing spring kit
8	09-123200	Handle, left	22	09-177600	Sealing kit, cover
9a	09-126300	Signal pin kit			
9b	09-181300	Signal and lock pin kit			
10	09-127100	Plastic plugs			
11	09-129400	Mechanism VBG 5190D incl. pos. 13, 16			
12a	09-177500	Grease plugs, 10-pack			
12b	09-127000	Grease plugs, 3-pack			
13	09-119300	Screw kit			

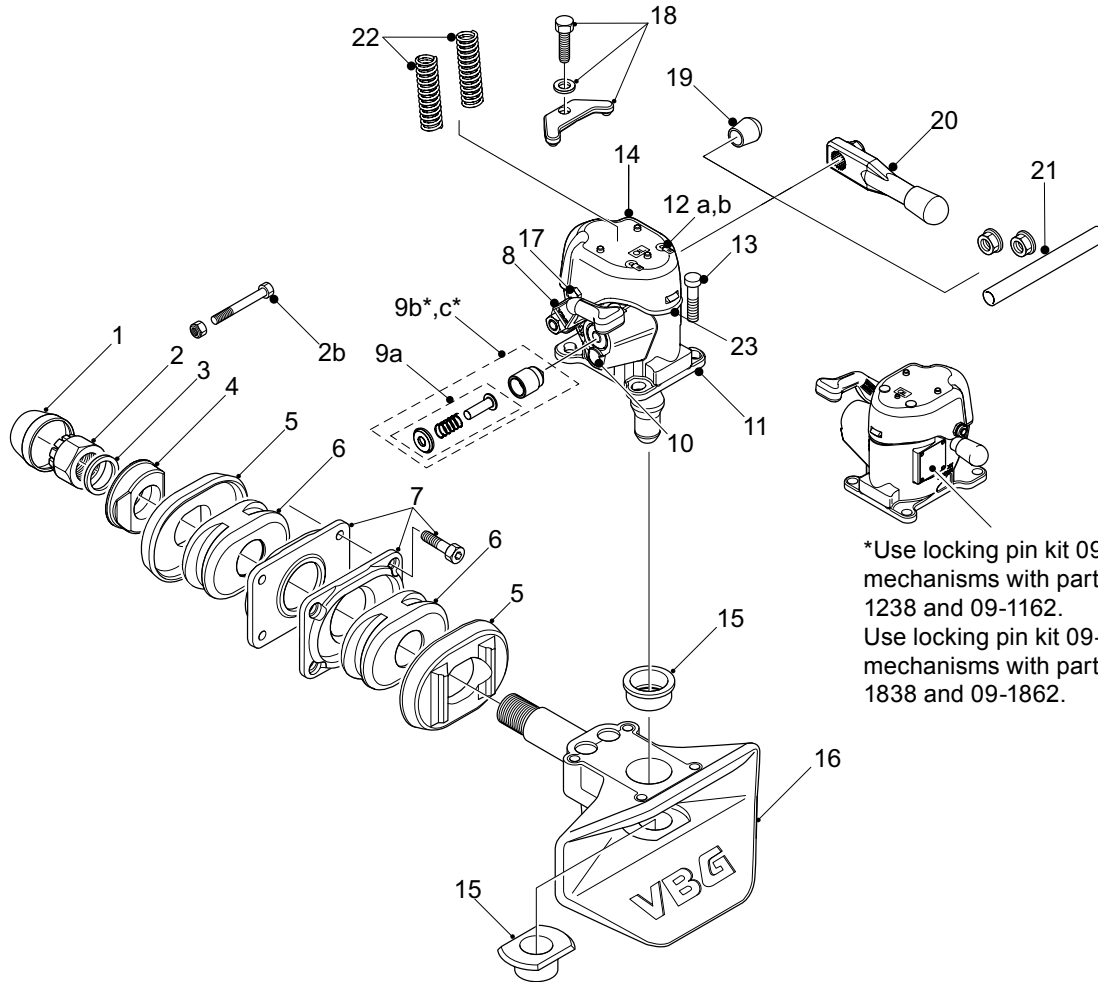


*Use locking pin kit 09-122800 for mechanisms with part numbers 09-1179 and 09-1163.
Use locking pin kit 09-181300 for mechanisms with part numbers 09-1879, 09-1865 and 09-1863.

Pos	Part No.	Description	Pos	Part No.	Description
1	18-000400	Nut cover	14	09-123100	Mechanism cover kit
2	18-000300	Castellated nut incl. Pos 2b	15	09-123600	Bolt kit for mechanism cover
2b	09-125000	Lock kit, castle nut	16	18-004000	Bushing kit VBG 8500
3	18-015700	Washer 6 mm	17	08-016600	Coupling jaw VBG 8500 incl. castellated nut and Pos. 1, 17
4	18-076600	Nut washer	18	09-123700	Cap
5	18-003800	Bearing plate kit	19	09-123300	Handle right
6	18-003500	Rubber block kit incl. Pos 2b	20	09-126400	Sleeve kit for handle 67 mm (for moving handle from left to right side)
7	18-075300	Beam plates incl. screw	21	09-126500	Closing spring kit
8	09-123200	Handle left	22	09-177600	Sealing kit, cover
9a	09-126300	Signal pin kit			
9b*	09-122800	Indicator & locking device			
9c*	09-181300	Indicator & locking device			
10	09-127100	Plastic plug			
11	09-121700	Mechanism VBG 8500 incl. Pos 13, 17			
12a	09-177500	Grease plug, 10-pack			
12b	09-127000	Grease plug, 3-pack			
13	09-119300	Bolt kit			

09-121800 Conversion kit 3.0, pos 11 and pos 11 (p. 21)
09-121900 Conversion kit 3.0, pos 11 and pos 11 (p. 21),
incl Sensor complete (pos 26 p. 21)

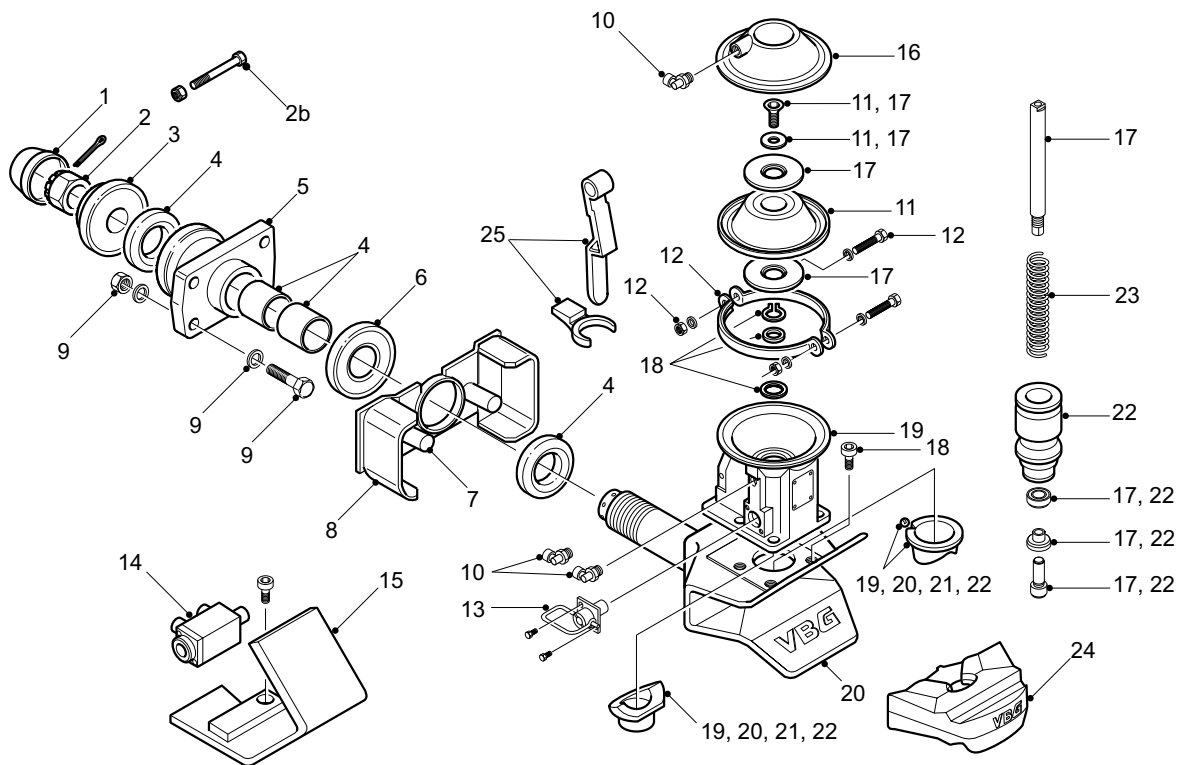
VBG 8040



*Use locking pin kit 09-122800 for mechanisms with part numbers 09-1238 and 09-1162.
Use locking pin kit 09-181300 for mechanisms with part numbers 09-1838 and 09-1862.

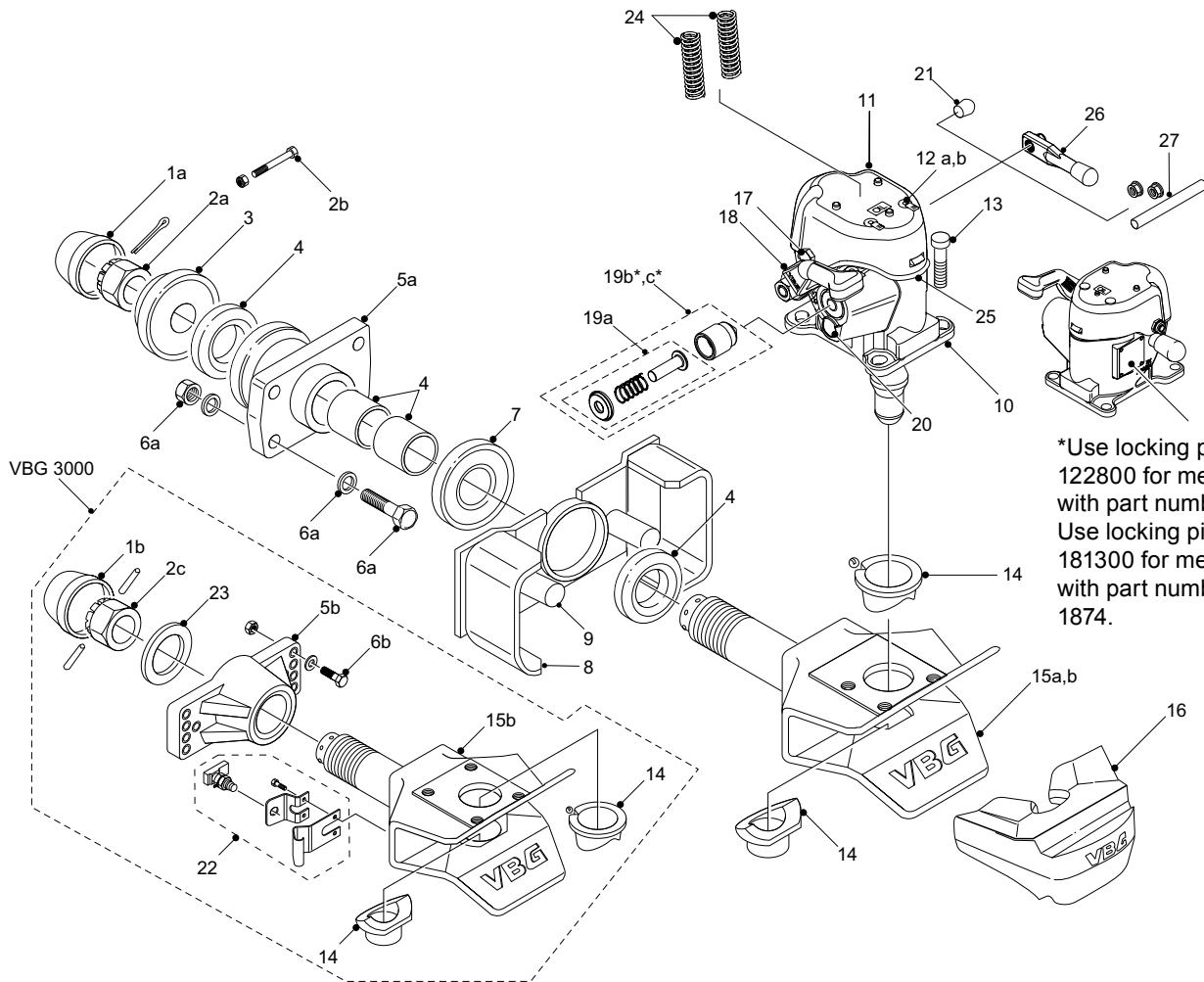
Pos	Part No.	Description	Pos	Part No.	Description
1	18-000400	Nut cover	12a	09-177500	Grease plug, 10-pack
2	18-000300	Castellated nut incl. Pos 2b	12b	09-127000	Grease plug, 3-pack
2b	09-125000	Lock kit, castle nut	13	09-119300	Bolt kit
3	18-015700	Washer 6 mm	14	09-123100	Mechanism cover kit
4	18-076600	Nut washer	15	18-002300	Bushing kit
5	18-003800	Bearing plate kit	16	08-021100	Coupling jaw G160 incl. castellated nut and Pos 1 and 15.
6	18-003500	Rubber block kit incl. Pos 2b	17	09-123600	Bolt kit for mechanism cover
7	18-075300	Beam plates incl. screw	18	18-002400	Bracket
8	09-123200	Handle left	19	09-123700	Cap
9a	09-126300	Signal pin kit	20	09-123300	Handle right
9b*	09-122800	Indicator & locking device	21	09-126400	Sleeve kit for handle 67 mm (for moving handle from left to right side)
9c*	09-181300	Indicator & locking device	22	09-126500	Closing spring kit
10	09-127100	Plastic plug	23	09-177600	Sealing kit, cover
11	09-122000	Mechanism VBG 8040 incl. Pos 13, 15			

09-122100 Conversion kit 3.0, pos 11 and pos 11 (p. 21)
09-122200 Conversion kit 3.0, pos 11, and pos 11 (p. 21)
incl Sensor complete (pos 26 sid 21)



Pos	Part No.	Description	Pos	Part No.	Description
1	18-000400	Nut cover	13	18-021400	Manual indicator and locking device
2	18-000300	Castellated nut incl. Pos 2b	14	07-082000	Air Cover pin
2b	09-125000	Lock kit, castle nut	15	07-002400	Protective plate incl. screw
3	18-001100	Bearing plate, inner	16	09-011800	Cover
4	09-017800	Rubber bearing kit	17	09-019100	Piston rod kit
5	05-067400	Drawbeam sleeve incl. bushing	18	18-003400	Screw kit MC6S 12x30
6	18-001000	Bearing plate, outer	19	09-027100	Mechanism incl. bushings
7	18-003200	Rubber damper kit	20	09-019900	Coupling jaw with bushings
8	18-068500	Jack-knifing stop incl. Rubber damper	21	18-000700	Bushing kit
9	05-063400	Bolt kit, Drawbeam sleeve	22	09-010000	Renovation kit
10	07-106800	Nipple kit, torsion device (Ø 6, Ø 8)	23	37-045800	Compression spring
11	09-011700	Membrane kit	24	09-013800	Protective Insert
12	09-027300	Clamp ring kit	25	18-000600	Repair kit for release arm

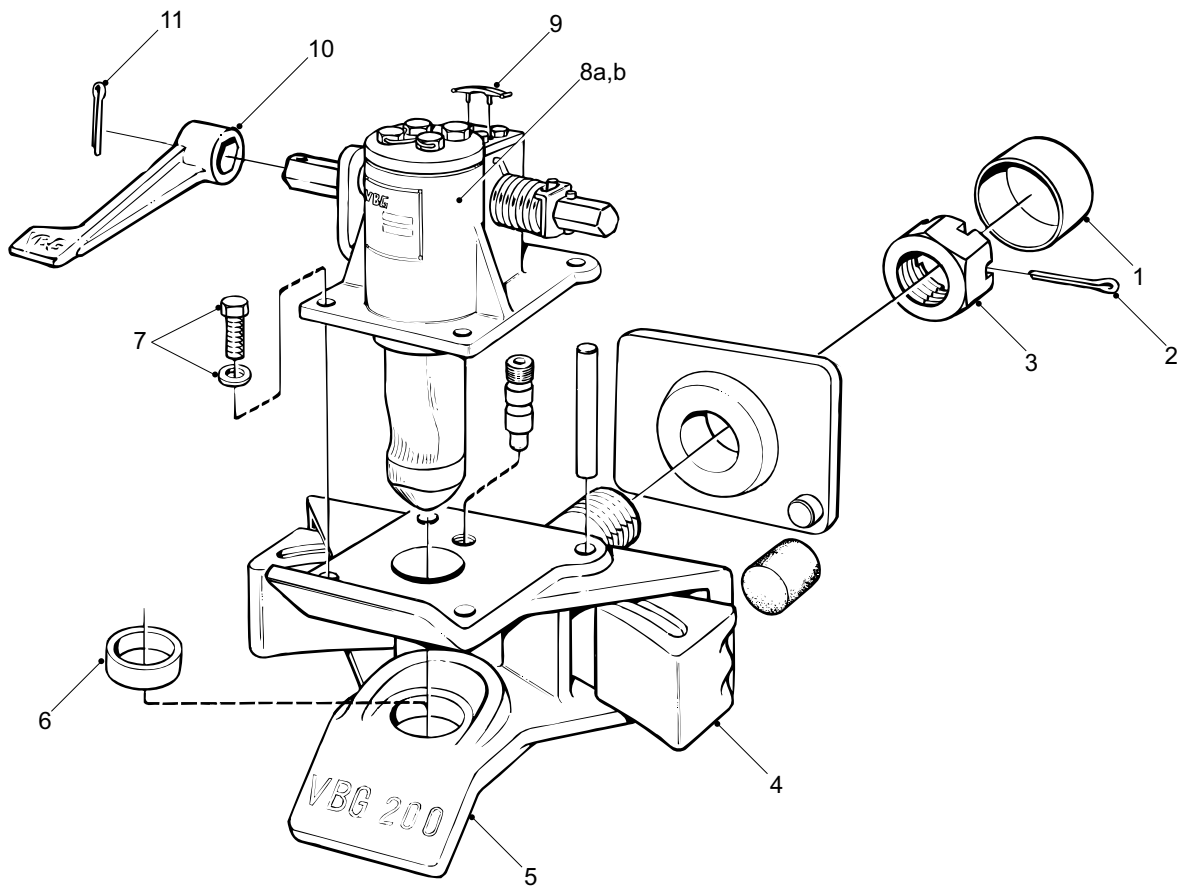
VBG 620/623/627/3000



*Use locking pin kit 09-122800 for mechanisms with part numbers 09-1174. Use locking pin kit 09-181300 for mechanisms with part numbers 09-1874.

Pos	Part No.	Description	Pos	Part No.	Description
1a	18-000400	Nut cover 620/623/627	13	09-119300	Bolt kit
1b	18-001300	Nut cover 3000	14	18-000200	Bushing kit
2a	18-000300	Castellated nut 620/623/627 incl. Pos 2b	15a	**	Coupling jaw VBG 620/623/627
2c	18-001200	Castellated nut 3000	15b	**	Coupling jaw 3000
2b	09-125000	Lock kit, castle nut	16	09-013700	Protective Insert
3	18-001100	Bearing plate, inner	17	09-123600	Bolt kit for mechanism cover
4	09-017800	Rubber bearing kit	18	09-123200	Handle left
5a	05-067400	Drawbeam sleeve 620/623/627, incl. Pos. 4	19a	09-126300	Signal pin kit
5b	**	Drawbeam sleeve 3000	19b*	09-122800	Indicator & locking device
6a	05-063400	Bolt kit 620/623/627	19c*	09-181300	Indicator & locking device
6b	18-001400	Bolt kit 3000	20	09-127100	Plastic plug
7	18-001000	Bearing plate, outer	21	09-123700	Cap
8	18-068500	Jack-knifing stop, incl. Pos 9	22	18-000900	Jackknife alarm kit
9	18-003200	Rubber damper kit	23	18-010700	Washer
10	09-120500	Mechanism VBG 620/623/627/3000 incl. Pos 13, 14	24	09-126500	Closing spring kit
11	09-123100	Mechanism cover kit	25	09-177600	Sealing kit, cover
12a	09-177500	Grease plug, 10-pack	26	09-123300	Handle right
12b	09-127000	Grease plug, 3-pack	27	09-126400	Sleeve kit for handle 67 mm (for moving handle from left to right side)
	09-120600	Conversion kit 3.0, pos 10 (11 p. 21)			
	09-120700	Conversion kit 3.0, pos 10 (11 p. 21) incl Position sensor (pos 26 p. 21)			

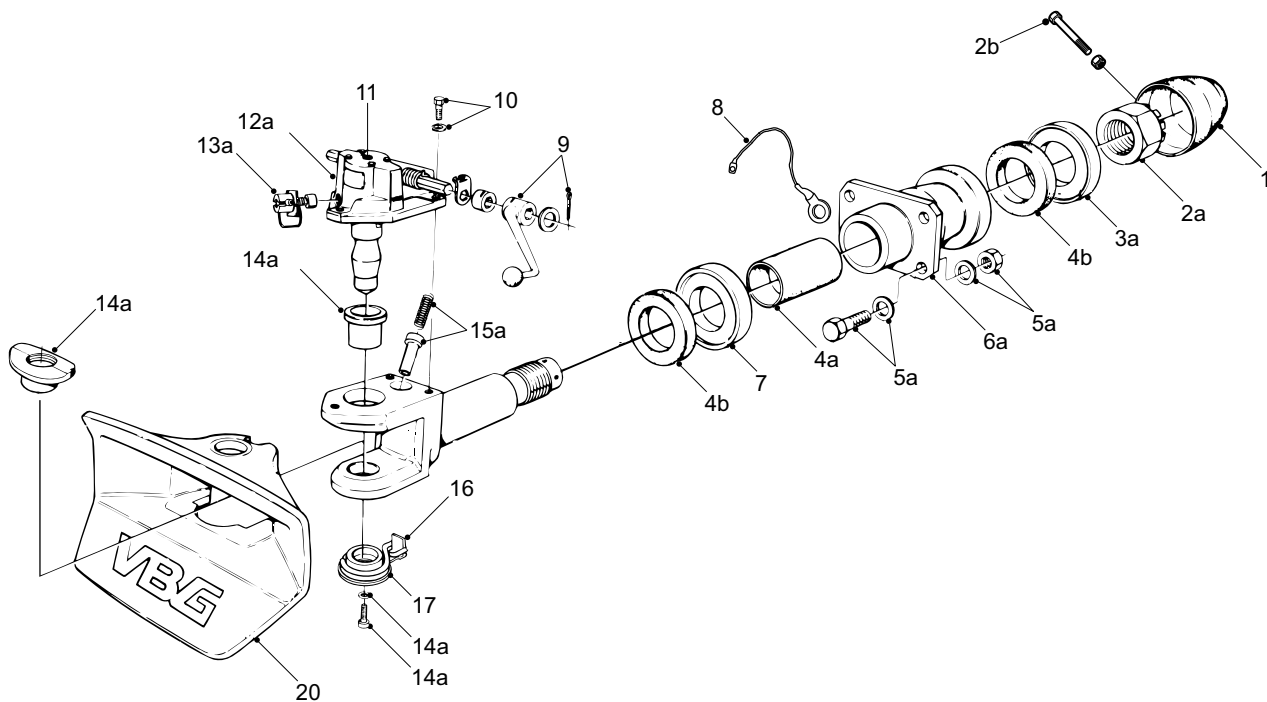
** Not available as spare part.



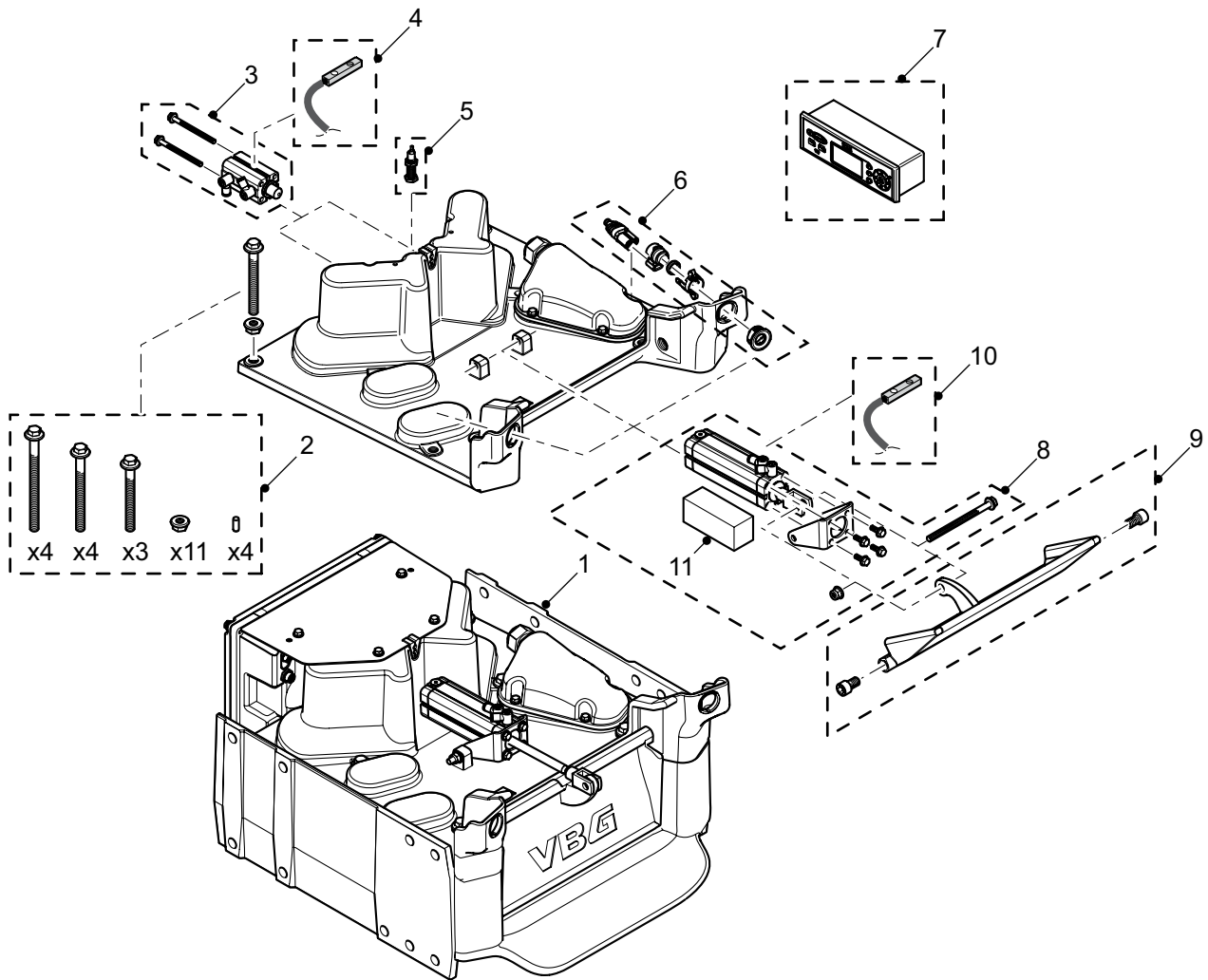
Pos	Part No.	Description	Pos	Part No.	Description
1	*	Nut cover	7	18-001600	Bolt kit for mechanism
2	*	Split pin	8a	05-029300	Mechanism incl. bushing
3	36-012000	Castellated nut 2"	8b	05-028800	Mechanism incl. bushing and signal and lock pin
4	*	Steering block	9	05-023500	Plastic plug
5	*	Coupling jaw incl. steering blocks, nut	10	18-000100	Handle incl. Pos. 11
6	05-026200	Lower lip bushing			

* Not available as spare part.

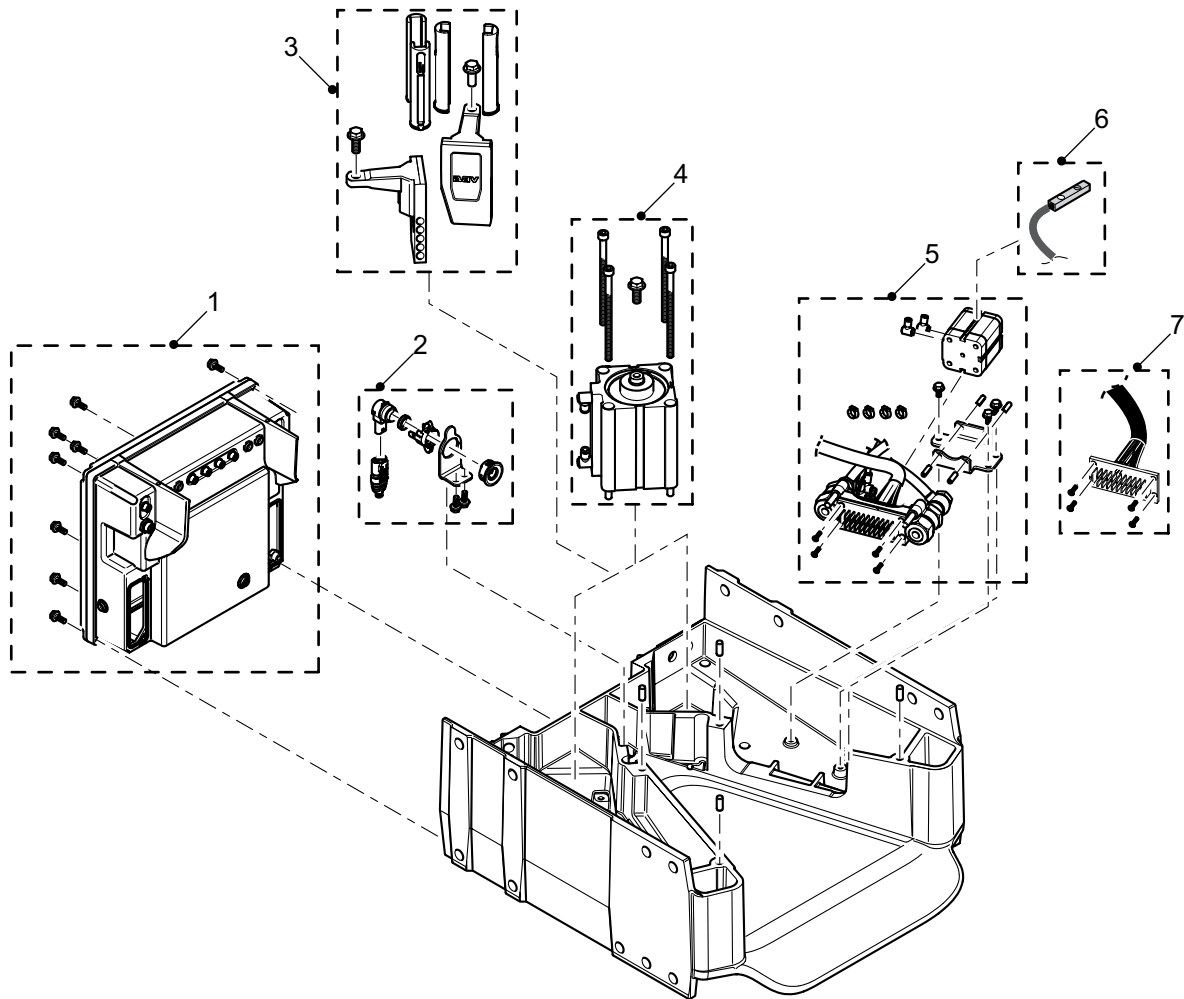
VBG 1050



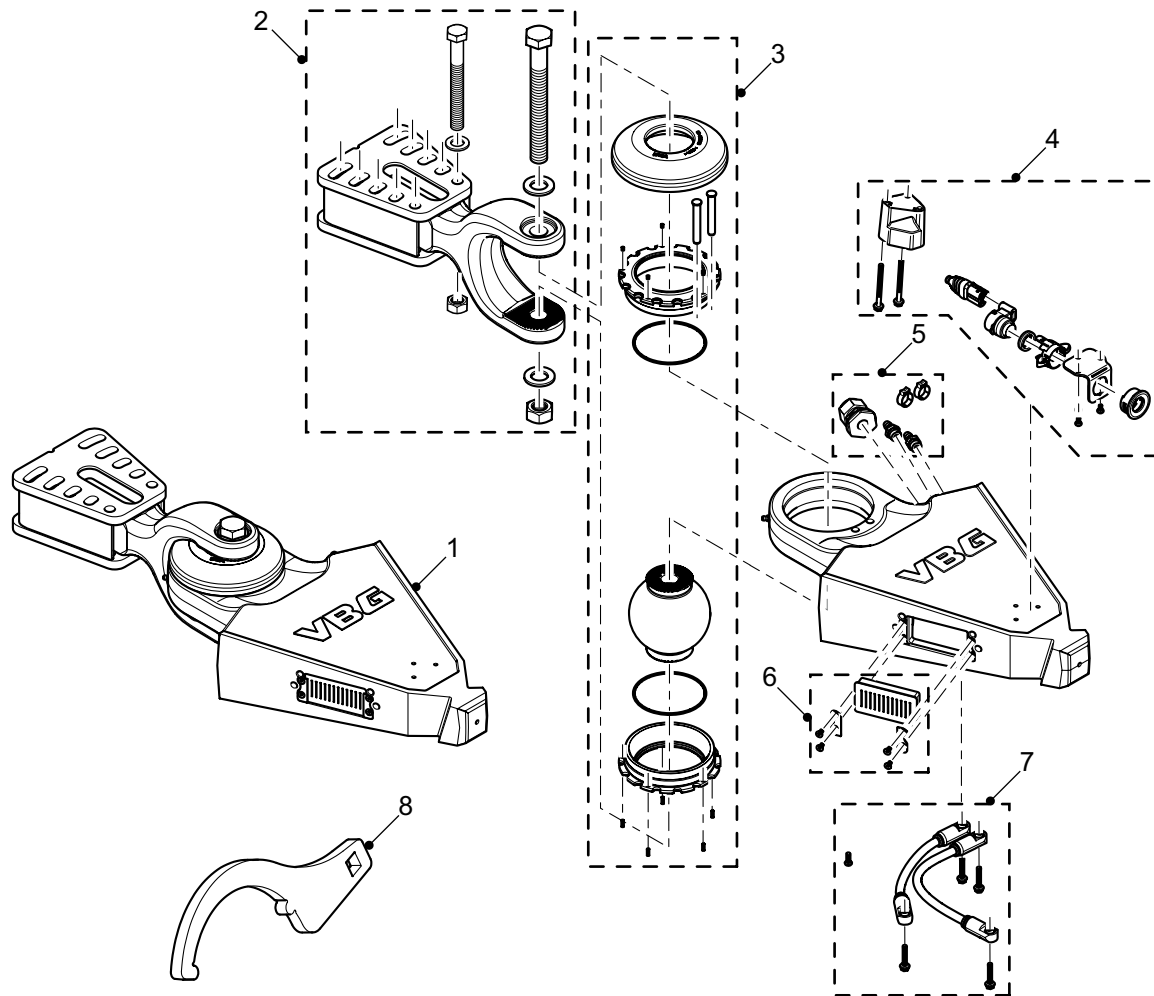
Pos	Part No.	Description	Pos	Part No.	Description
1	18-000400	Nut cover	10	18-001600	Bolt kit for Mechanism
2a	18-000300	Castellated nut incl. Pos 2b	11	18-003700	Plastic cap
2b	09-125000	Lock kit, castle nut	12a	09-023900	Mechanism 1050 incl. Pos. 14a
3a	18-001100	Bearing plate 1050, inner	13a	18-021400	Locking device 1050
4a,b	09-017800	Rubber bearing kit 1050	14a	18-001500	Bushing kit 1050
5a	05-063400	Bolt kit 1050	15a	18-001800	Lock bolt repair kit 1050
6a	05-067400	Drawbeam sleeve 1050 incl. Pos 4a	16	18-020700	Spring bracket 1050
7	18-001000	Bearing plate 1050, outer	17	18-020800	Torsion spring 1050
8	18-014300	Earth strip 1050	20	09-020300	Guiding funnel 1050
9	18-001700	Handle incl. split pin			



Pos	Part No.	Description	Pos	Part No.	Description
1	*	Coupling, complete	7	08-102300	Control panel
2	08-100600	Bolt kit	8	08-101300	Panel cylinder kit incl. pos 11
3	08-101400	Lock cylinder, kit	9	08-100500	Panel kit
4	08-102600	Magnetic sensor	10	08-102600	Magnetic sensor, panel
5	08-102500	Inductive sensor	11	08-027000	Cylinder protection
6	08-102400	USS kit truck, incl. pos 2 page 16			

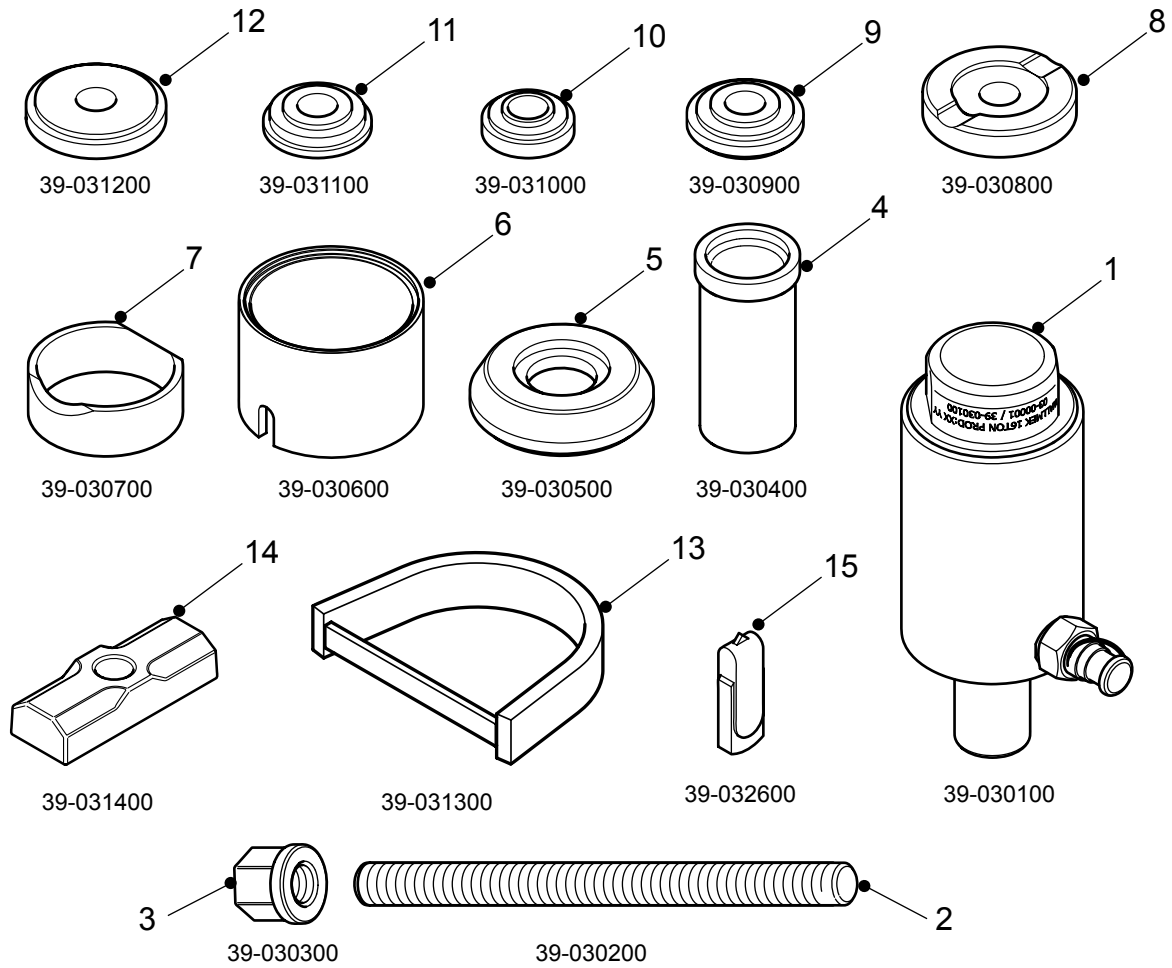


Pos	Part No.	Description	Pos	Part No.	Description
1	08-102700	Valvebox	5	08-100100	Power-air unit
2	08-102400	USS kit truck, incl. pos 6 page 15	6	08-102600	Magnetic sensor
3	08-100000	Locking key kit	7	08-101900	Power switch 22, kit truck
4	08-101100	Locking key cylinder kit			



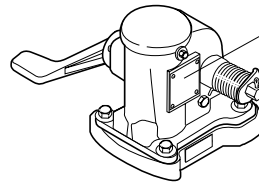
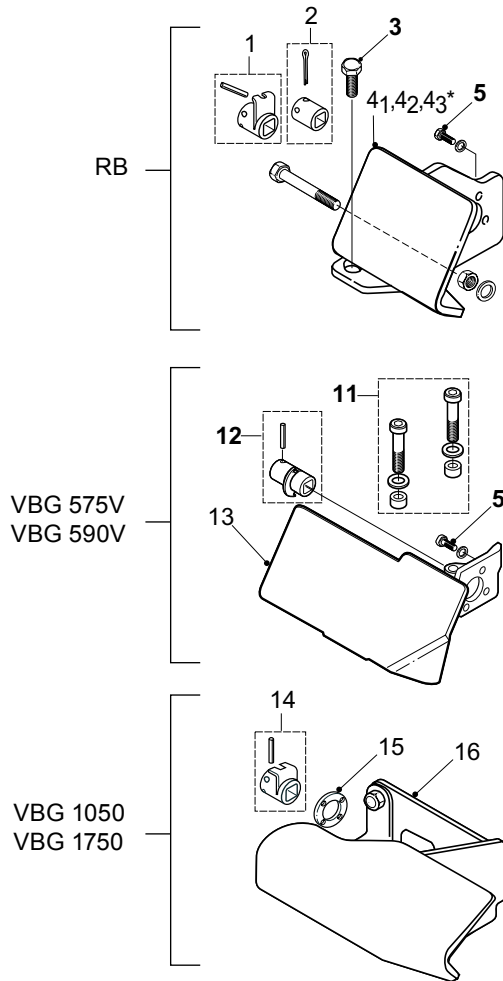
Pos	Part No.	Description	Pos	Part No.	Description
1	*	Drawbar head, complete	5	08-101000	Air and electrical connection kit
2	08-100700	Tow fork	6	08-102000	Power switch 22, kit trailer
3	08-100200	Renovation kit, ball	7	08-101500	Brake line kit
4	08-101800	USS kit trailer	8	08-100400	Hook spanner

Service tools

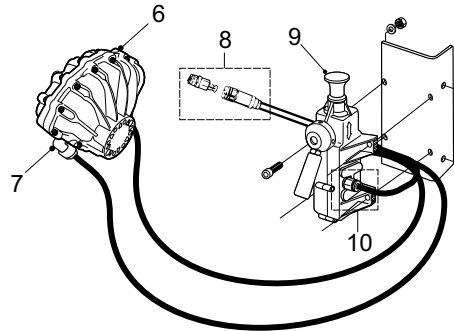


Pos	Part No.	Description	Pos	Part No.	Description
1	39-030100	Hydraulic cylinder	9	39-030900	Guide plate
2	39-030200	Threaded rod M18	10	39-031000	Guide plate
3	39-030300	Nut M18	11	39-031100	Guide plate
4	39-030400	Guide sleeve	12	39-031200	Guide plate
5	39-030500	Guide plate	13	39-031300	Counterbalance clamp
6	39-030600	Spacer tube	14	39-031400	Counterbalance plate
7	39-030700	Guide sleeve	15	39-032600	USB memory stick
8	39-030800	Guide plate			

Power actuator version 1.0



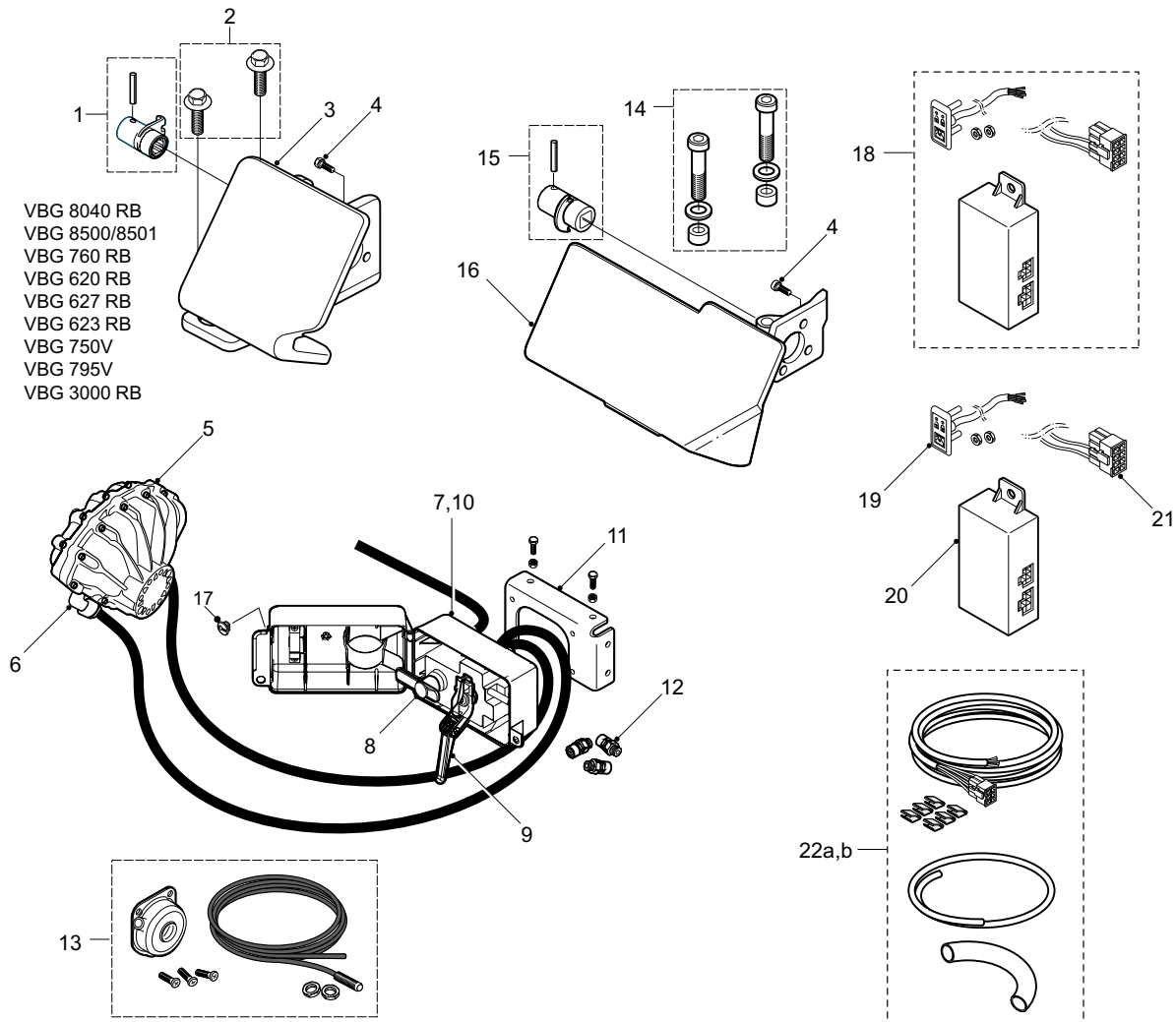
* Type plate on the mechanism is marked with manufacture year and week yy/ww. For mechanisms produced before 00/01, use bracket 4₂ or 4₃.



The items in bold refer to Version 2.0 spare parts that have been replaced with Version 1.0 spare parts.

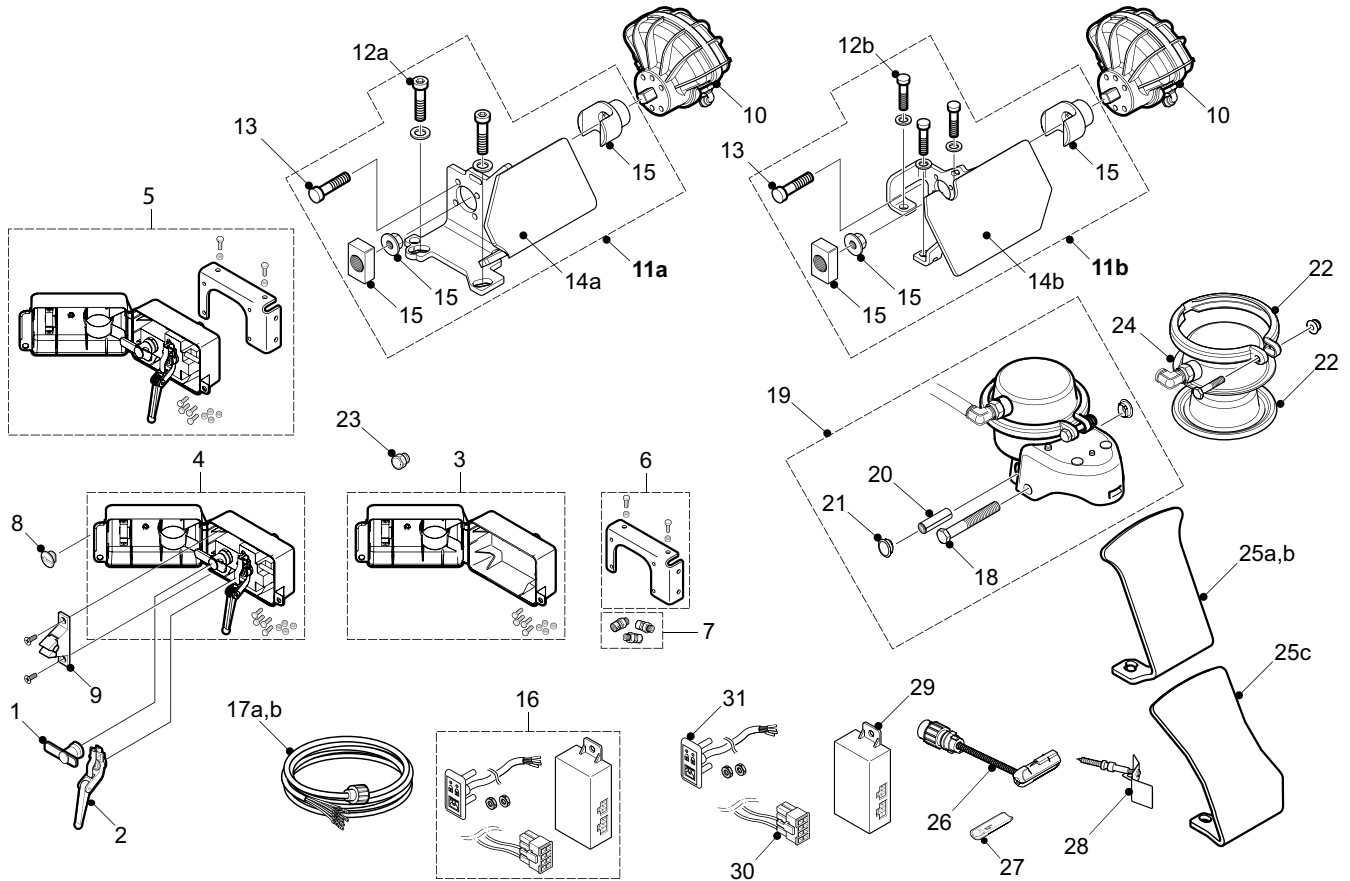
Pos	Part No.	Description	Pos	Part No.	Description
1	07-109600	Adapter kit for drawbar eye 190	7	07-106800	Nipple kit for actuator
2	07-109700	Adapter kit	8	07-109800	Snap-on connector
3	07-107300	Bolt kit for bracket	9	07-108000	Control box
4 ₁	07-106500	Bracket RB	9	07-106800	Nipple kit for actuator
	07-107100	Adapter kit	10	07-109900	Nipple kit
	07-107300	Bolt kit for bracket	11	07-108700	Bolt kit
	07-107200	Bolt kit	12	07-108600	Adapter kit
4 ₂	07-024100	Bracket R	13	09-063600	Bracket
4 ₃	07-024200	Bracket L	14	07-110000	Adapter kit
5	07-107200	Bolt kit	15	07-110100	Washer
6	07-106900	Actuator	16	07-037500	Bracket
	07-106800	Nipple kit for actuator			
	07-107200	Bolt kit			

Power actuator version 2.0



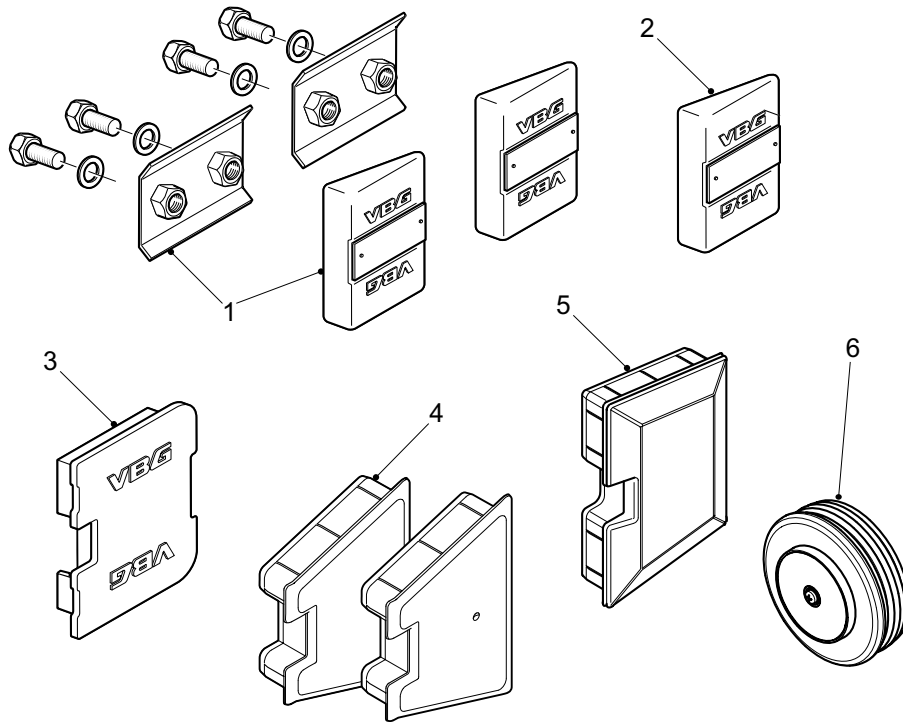
Pos	Part No.	Description	Pos	Part No.	Description
1	07-107100	Adapter	13	09-069900	Remote indicator kit
2	07-107300	Bolt kit for bracket	14	07-108700	Bolt kit VBG 575V/590V
3	07-106500	Bracket for actuator	15	07-108600	Adapter VBG 575V/590V
4	07-107200	Bolt kit	16	09-063600	Bracket VBG 575V/590V
5	07-106900	Actuator	17	07-108200	Plastic cap
6	07-106800	Nipple kit for actuator (Ø 6, Ø 8)	18	09-099200	Indicating kit
7	07-107900	Control box, complete	19	09-099300	Indicating panel incl. cable and nuts
8	07-107600	Handle	20	09-099400	Electronic unit
9	07-107700	Handle	21	09-099500	Connector with clip
10	07-107800	Control box (without valve)	22a	09-099600	Cable 10 m
11	07-107400	Bracket control box	22b	09-099700	Cable 15 m
12	07-107500	Nipple kit for control box			

Power actuator version 3.0



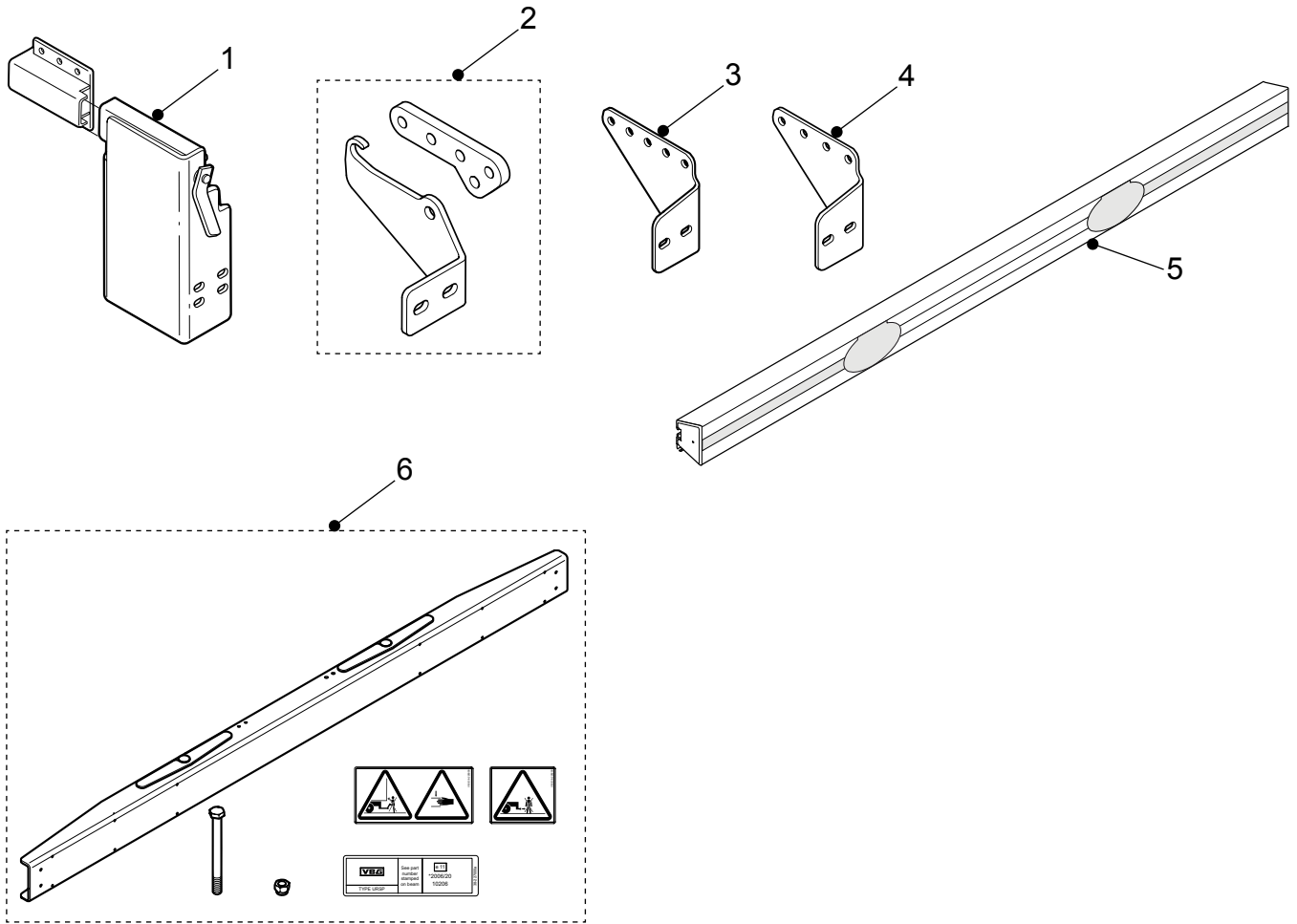
Pos	Part No.	Description	Pos	Part No.	Description
1	07-107600	Handle	17a	09-182600	Cabling, 12 m
2	07-107700	Handle	17b	09-182500	Cabling, 16 m
3	07-107800	Valve box without valve	18	09-123600	Screw kit for mechanism cover
4	07-107900	Valve box, complete	19	09-124000	AM unit
5	07-108000	Valve box complete, incl. bracket kit	20	09-122300	Shaft for AM unit incl. plastic plug (x2), pos. 21
6	07-107400	Bracket	21	09-122400	Plastic plug for shaft, 10-pack
7	07-107500	Nipple kit	22	09-068300	Diaphragm kit
8	07-108200	Plug	23	07-108400	Plug for valve box
9	07-104400	Snap-lock	24	09-055700	Cover AM
10	07-106900	Torsion device kit	25a	09-124973	Protective bracket kit for 750V/795V AM, 760 AM, 8500 AM
11a	09-119400	Bracket kit 750V/795V/ 795VR/760/8500/8040	25b	09-124773	Protective bracket kit for 8040 AM
11b	09-121500	Bracket kit 575V/590V/590VR	25c	09-124873	Protective bracket 575V AM
12a	09-122500	Screw kit for bracket 14a	26	09-119800	Position sensor, complete kit
12b	09-179900	Screw kit for bracket 14b	27	09-123000	Locking key, 10-pack
13	07-107200	Screw kit for torsion device	28	09-036500	Jackknife alarm kit, buzzer included in pos. 29
14a	09-113573	Bracket 750V/795V/795VR/760/8500/8040	29	09-099400	Electronic unit
14b	09-179773	Bracket 575V/590V/590VR	30	09-099500	Connector with clip
15	09-122700	Adapter kit	31	09-099300	Indicating panel incl. cable and nuts
16	09-099200	Indicating kit			

Underrun protection



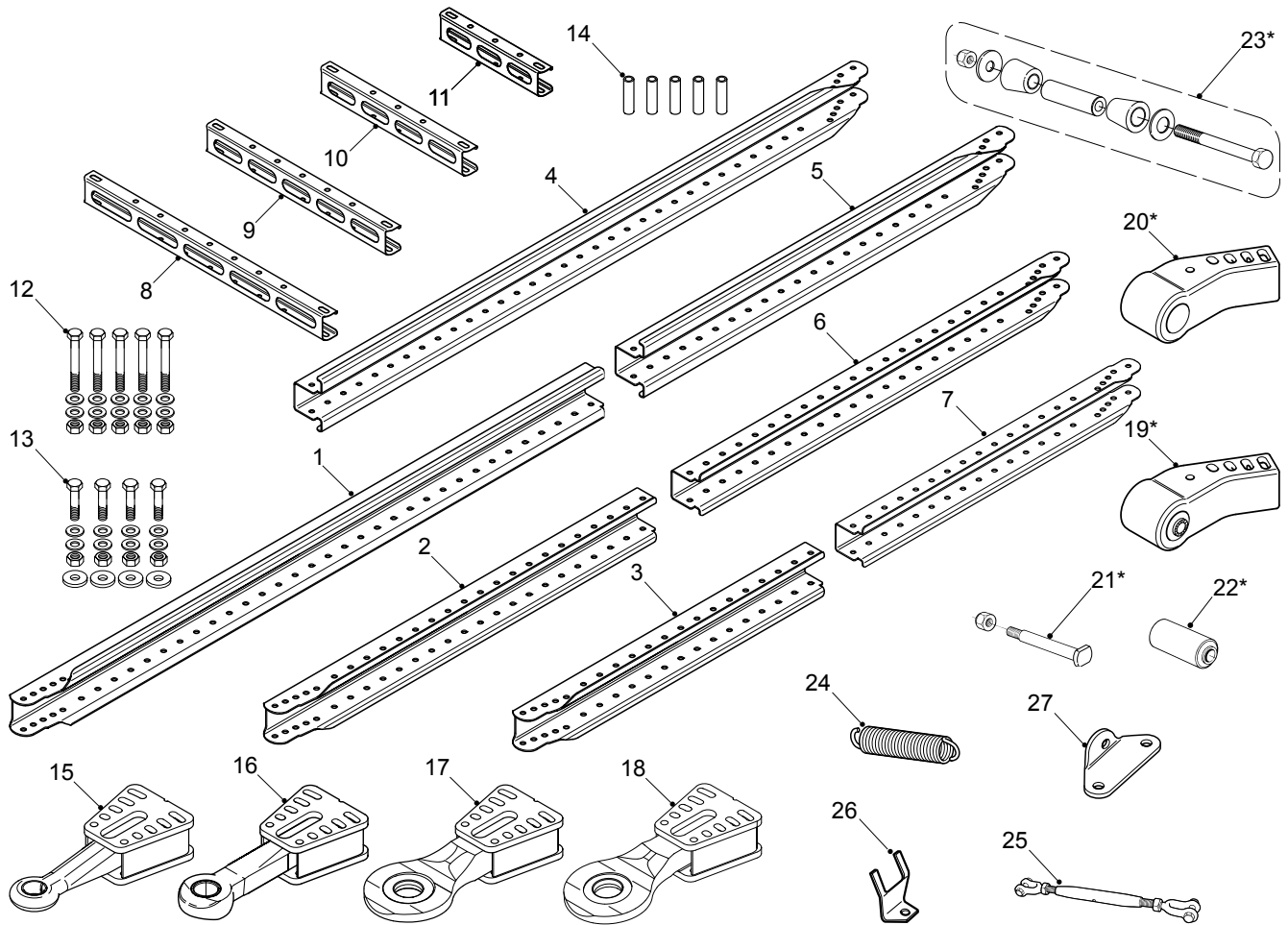
Pos	Part No.	Description	Pos	Part No.	Description
1	21-043100	Bolt kit for steel beam incl. end stop	4	18-004100	End stop for aluminium beam UHAP 1.0, kit
2	18-090900	End stop for steel beam	5	21-173600	End stop for aluminium beam UHAP 2.0
3	21-092000	End stop for aluminium beam 919	6	21-181300	End stop for round steel beam

Underrun protection



Pos	Part No.	Description	Pos	Part No.	Description
1	21-107478	Endplate EUR	Spare parts for sliding underride protection URSP		
2	21-167578	Endplate EUR-2	6	21-198000	Protective beam with anchor bolts
3	21-074070	Endplate EUS, 50-hole spacing	7	21-198100	Side arm kit 600
4	21-083170	Endplate EUS, 60-hole spacing	8	21-198200	Side arm kit 1000
5	21-164400	Aluminium beam UHAP-1, length 2400 mm			
	21-164500	Aluminium beam UHAP-1 with reflex, length 2400 mm			
	21-164600	Aluminium beam UHAP-1 with reflex, length 1900 mm			

Multi XF Drawbar

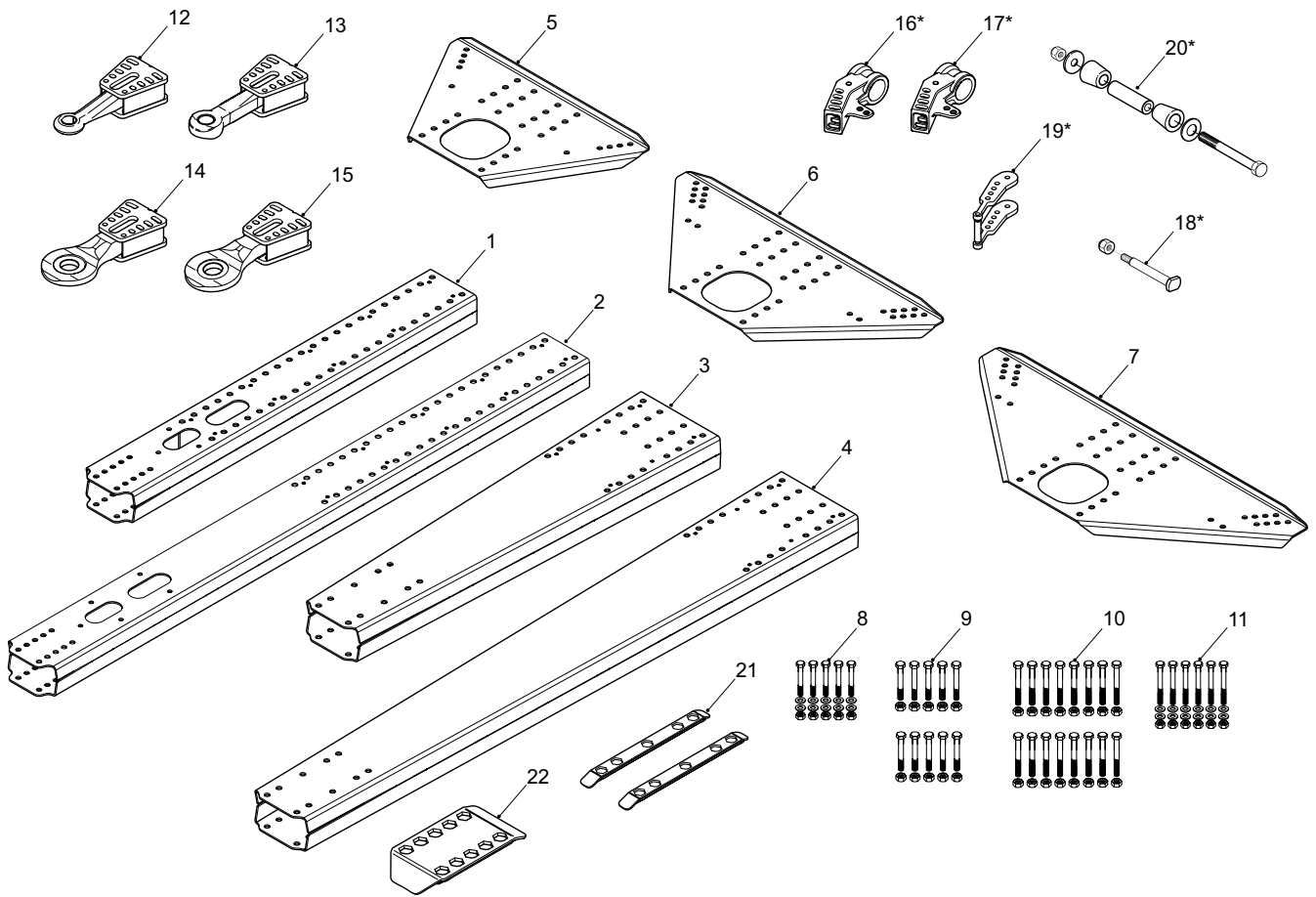


Pos	Part No.	Description	Pos	Part No.	Description
1	25-073678	Leg front 4.3 stamped no 25-0736 or 25-0704	11	25-074278	Crossbar XS=417 mm
2	25-073778	Leg front 2.8 stamped no 25-0737 or 25-0710	12	35-045600	Bolt kit M14x130 (5 pcs.)
3	25-073878	Leg front 2.2 stamped no 25-0738 or 25-0721	13	35-048200	Bolt kit crossbar (4 pcs.)
4	25-071278	Leg rear 4.3 stamped no 25-0712 or 25-0705	14	25-072800	Spacer tube kit (5 pcs.)
5	25-072478	Leg rear 3.6 stamped no 25-0724 or 25-0714	15	25-073078	Eye DIN 40
6	25-071378	Leg rear 2.8 stamped no 25-0713 or 25-0711	16	25-073178	Eye ISO 50
7	25-072378	Leg rear 2.2 stamped no 25-0723 or 25-0722	17	25-073278	Eye VBG 57
8	25-073978	Crossbar L=987 mm	18	25-073378	Eye 57, angled 5°
9	25-074078	Crossbar M=738 mm	19	*	
10	25-074178	Crossbar S=588 mm	20	*	
			21	*	
			22	*	
			23	*	
			24	26-076000	Balance spring
			25	26-071100	Rigging screw
			26	18-030100	Holder for power plug
			27	25-054978	Spring retainer

* See Attachment parts

NOTE! When replacing parts the fasteners should also be replaced. The sidemembers should be replaced as complete sides, i.e if the front side sidemember is replaced the rear sidemember on the same side should also be replaced.

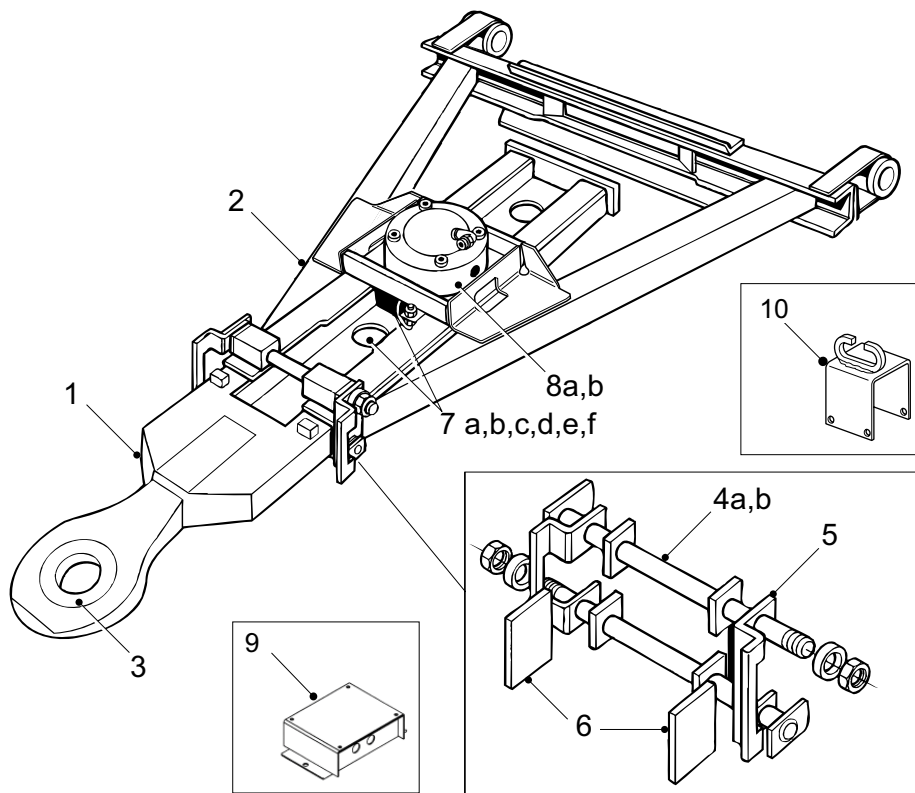
Optimal Drawbar



Pos	Part No.	Description	Pos	Part No.	Description
1	25-087178	Front part short	12	25-073078	Eye DIN 40
2	25-087278	Front part long	13	25-073178	Eye ISO 50
3	25-087378	Middle part short	14	25-073278	Eye VBG 57
4	25-087478	Middle part long	15	25-073378	Eye 57, angled 5°
5	25-087578	Rear part 700	16	*	
6	25-087678	Rear part 900/980	17	*	
7	25-087778	Rear part 1100/1200	18	*	
8	35-045600	Bolt kit M14x130 (5 pcs.)	19	*	
9	35-076500	Bolt kit M16x140 (10 pcs.)	20	*	
10	35-050700	Bolt kit M16x160 (16 pcs.)	21	25-108478	Rear sliding bracket accessory kit incl. pos. 9
11	35-050800	Bultsats M14x160 (6 pcs.)	22	25-108578	Front sliding bracket accessory kit incl. 2 x pos. 8

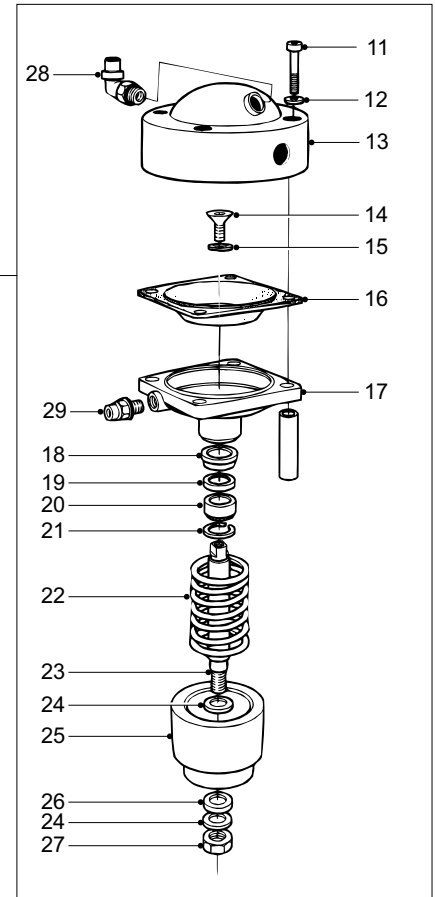
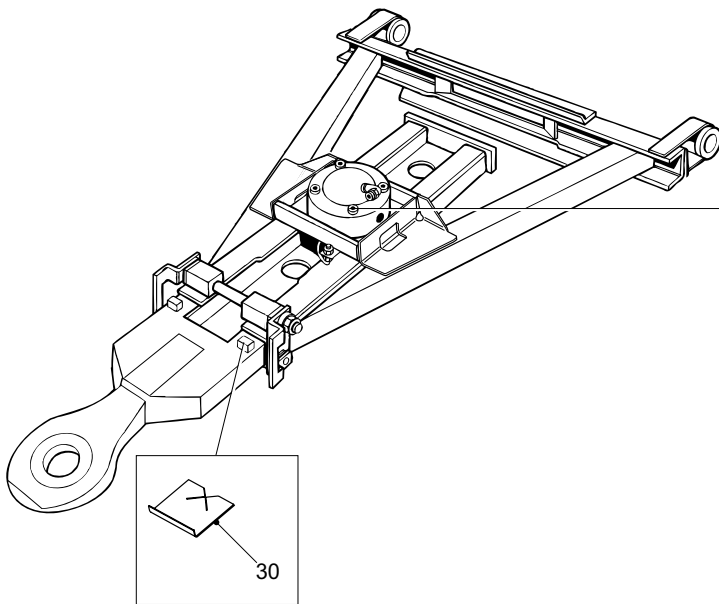
* See Attachment parts

Automatic Drawbar



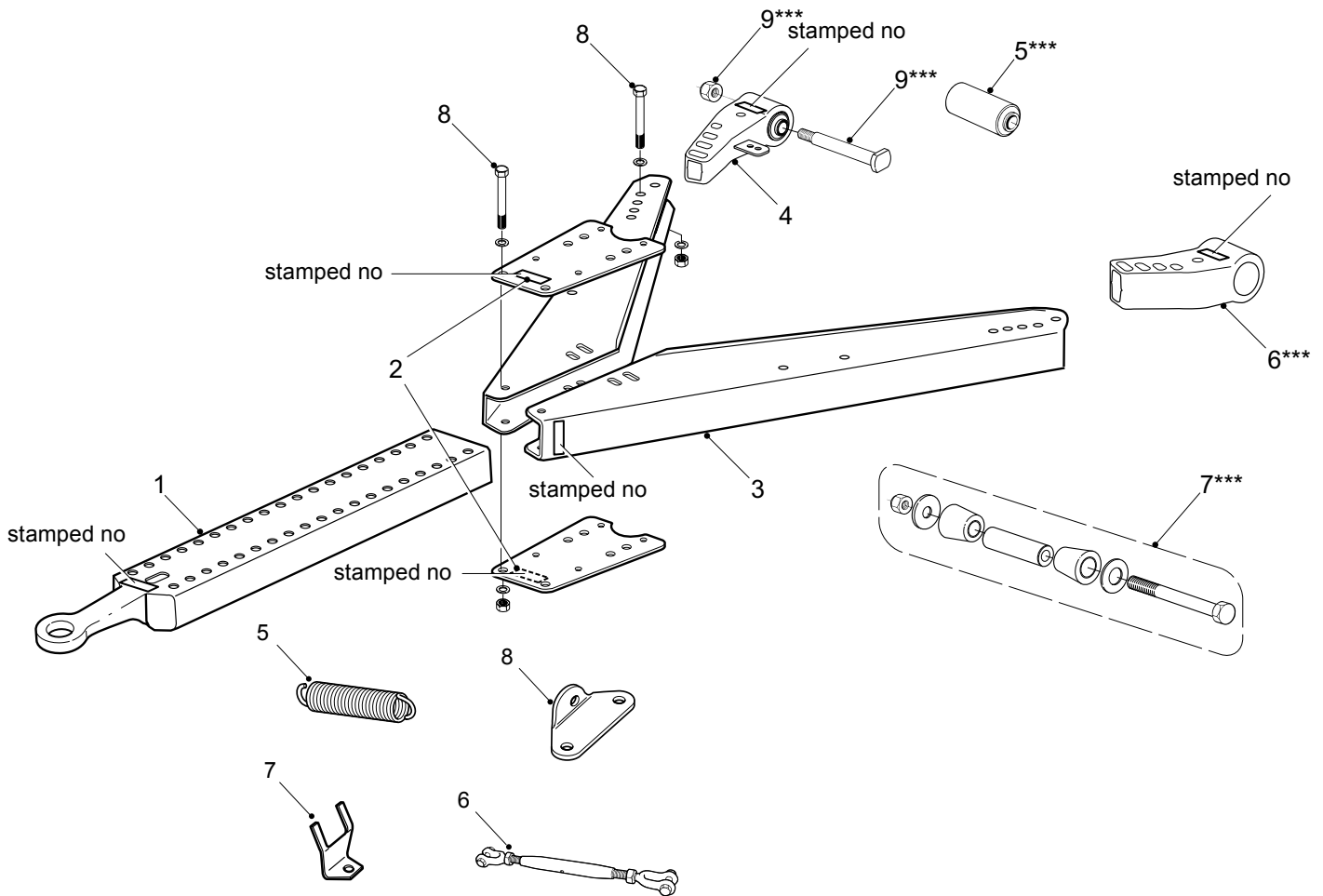
Pos	Part No.	Description	Pos	Part No.	Description
1	26-087300	Front slider (26-080000)	4a	26-096500	Adjustment bolt assy
	26-100600	Front slider (26-100000)			incl. washers and nuts
2	26-087400	Rear A-frame (26-080000)	5	26-089900	Stop plate
		(incl. Pos. 4, 5, 6, 30)	6	26-096400	Wear set (incl. 26-096500
	26-100200	Rear A-frame (26-100000)			wear plate Pos. 30)
		(incl. Pos. 4, 5, 6, 30)	7a	18-002500	Bushing kit (lower jaw bushing,
3	18-010400	Wear ring for 57.5 mm Ø VBG tow eye			front bushing)
	18-010401	Wear ring for 57.5 mm Ø VBG tow eye	7b	18-083000	Front bushing
	18-088800	Bush for ISO 50 mm Ø tow eye	8a	18-087000	Air cylinder, assy (Pos. 11-29)
	18-088801	Bush for ISO 50 mm Ø tow eye	9	07-009000	Power valve (only for 26-080000)
	18-013800	Bush for DIN 40 mm Ø tow eye	10	25-071700	Spring retainer
Spare parts for Automatic drawbar 26-011100					
			4b	26-006000	Coupling jaw
			7c	26-000900	Bushing upper plate
			7d	26-001000	Bushing front slider
			7e	26-001100	Bushing lower plate
			7f	26-040200	Welding bushing
			8b	09-117500	Mechanism

Automatic Drawbar



Pos	Part No.	Description	Pos	Part No.	Description
11		Screw MC6S M10x80 mm	25	18-002600	Lock bolt incl. bushing kit
12		Washer FZB 10,5x21 mm	26		Guide
13	18-080900	Cover, air cylinder	27		Nyloc nut M12
14		Screw MF6S M12x25 mm	28	29-000200	Snap-on coupling, 90°
15		O-ring	29	29-000800	Snap-on coupling, straight
16		Diaphragm	30	18-089800	Wear plate for vertical play (Qty as required)
17	18-081000	Housing, air cylinder		26-096600	Kit for extra hole or hole repair
18		Seal		26-087800	Diaphragm repair kit (Pos. 14-16,18, 23)
19		Spacer		26-087700	Air cylinder repair kit (Pos. 11,12,14-16,18-28)
20		Wiper		26-075700	Rebuild kit (for older automatic drawbar models)
21		Lock-ring			
22		Pressure spring			
23		Shaft			
24		Washer TBRB 13x24 mm			

Multi Drawbar D:130/146 kN



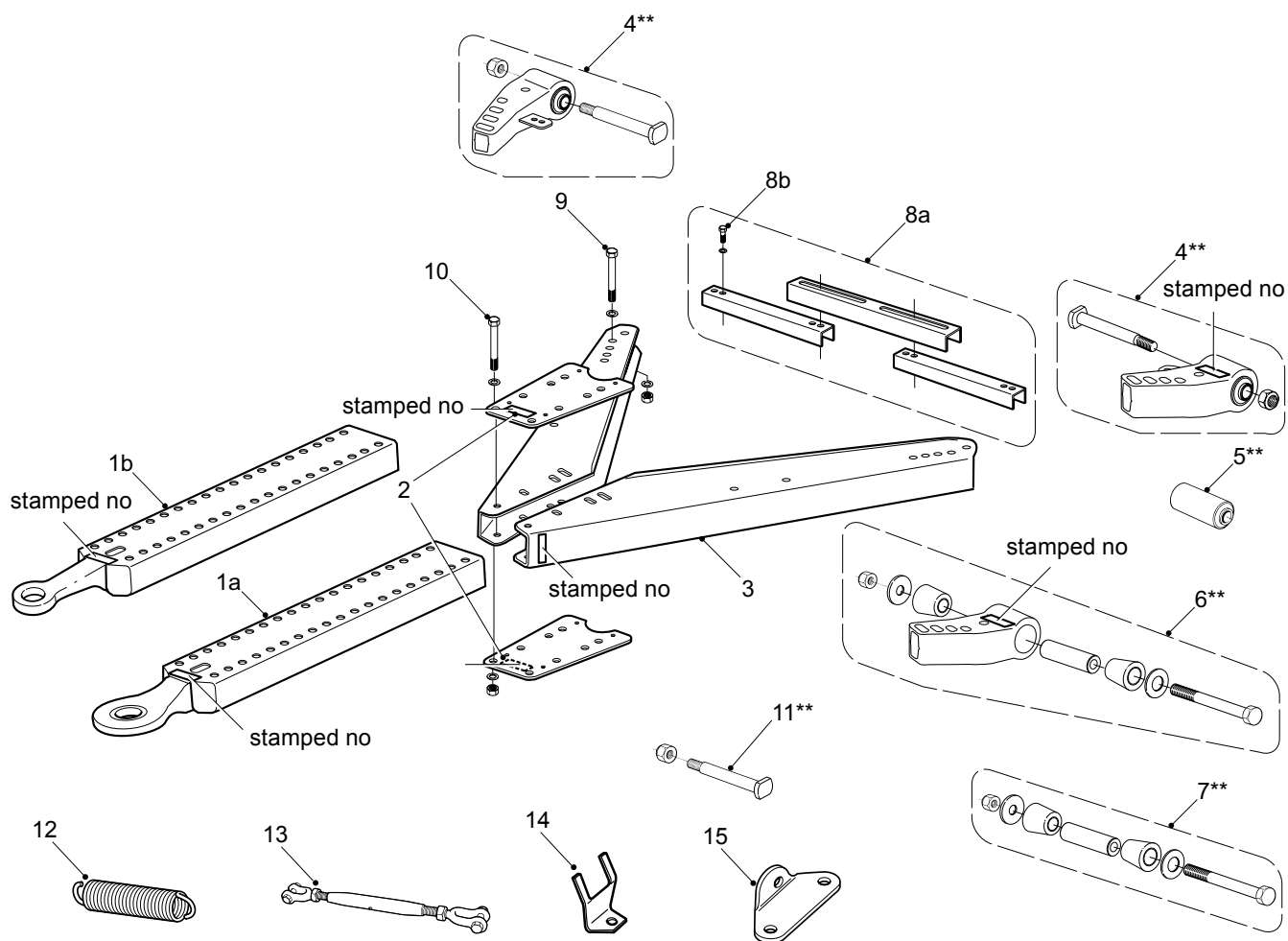
Pos	Part No.	Description	Pos	Part No.	Description
1	25-043078	Front slider DIN Ø 40 mm* stamped no: VBG 250500 alt 250430		25-046078	Leg 2.0 m, c/c 980/1200 stamped no: VBG 250557 alt 250460
	25-043178	Front slider ISO Ø 50 mm stamped no: VBG 250501 alt 250431		25-068078	Leg 2.2 m, c/c 980/1200 stamped no: VBG 250555 alt 250680
	25-043278	Front slider VBG Ø 57 mm stamped no: VBG 250502 alt 250432		25-068178	Leg 2.2 m, c/c 1100/1300 stamped no: VBG 250555 alt 250681
2	25-043378	Mounting plates, leg 1.4 m stamped no: VBG 250506 alt 250433	4	***	
	25-043478	Mounting plates, leg 2.0 m stamped no: VBG 250505 alt 250434	5	***	
3	25-046278	Leg, 1.2 m, c/c 1100/1300 stamped no: VBG 250566 alt 250462	6	***	
	25-046178	Leg 1.2 m, c/c 980/1200 stamped no: VBG 250553 alt 250461	7	***	
	25-045978	Leg 1.4 m, c/c 980/1200 stamped no: VBG 250556 alt 250459	8	35-045600	Bolt kit M14, containing ** Screw M6S M14 x130, 8.8 (5 pcs.) Locking nut M14 kl.8 (5 pcs.) Washer BRB, HB200 (10 pcs.)
	25-066478	Leg 1.65 m, c/c 980/1200 stamped no: VBG 250554 alt 250664	9	***	
	25-066578	Leg 1.65 m, c/c 1100/1300 stamped no: VBG 250554 alt 250665	10	26-076000	Balance spring
			11	26-071100	Rigging screw
			12	26-030100	Power plug bracket
			13	25-054978	Spring retainer

* Only for performance level D: 130 kN.

** The bolt sets are treated with zinc iron-black and treated with wax.

*** See Attachment parts

Multi Drawbar D:179 kN

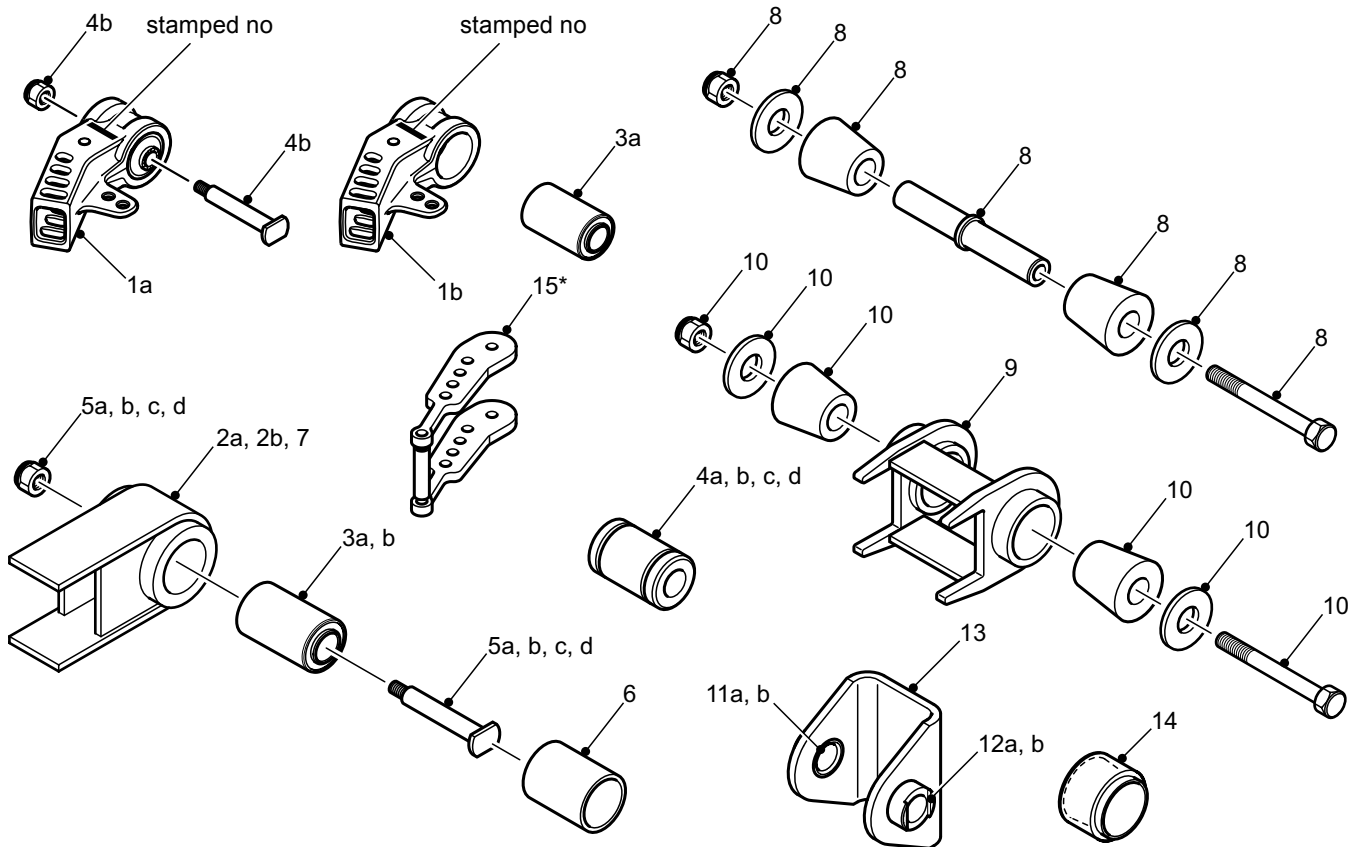


Pos	Part No.	Description	Pos	Part No.	Description
1	25-042878	Front slider ISO Ø 50 mm	4	**	
	25-042978	Front slider VBG Ø 57 mm	5	**	
		stamped no: VBG 250588 alt 250428	6	**	
2	25-067078	Mounting plates, leg 1.2, 1.65	7	**	
	25-067978	Mounting plates, leg 2.2 m	8a	25-057678	Crossbar
		stamped no: VBG 250589 alt 250429	8b	35-047300	Crossmember Bolt kit
3	25-046178	Leg, 1.2 m, c/c 980-1200	9	35-045600	Bolt kit M14, containing*
	25-046278	Leg, 1.2 m, c/c 1100-1300			Screw M6S M14 x130, 8.8 (5 pcs.)
	25-066478	Leg 1.65 m, c/c 980/1200	10	35-047200	Bolt kit M16, containing*
	25-066578	Leg 1.65 m, c/c 1100/1300			Screw M6S M16 x140, 8.8 (6 pcs.)
	25-068078	Leg 2.2 m, c/c 980/1200			Locking nut M16 8 o' clock (6 pcs.)
	25-068178	Leg 2.2 m, c/c 1100/1300	11	**	Washer BRB, HB200 (10 pcs.)
		stamped no: VBG 250555 alt 250681	12	26-076000	Balance spring
			13	26-071100	Rigging screw
			14	18-030100	Plug holder
			15	25-054978	Spring retainer

* The bolt sets are treated with zinc iron-black and treated with wax.

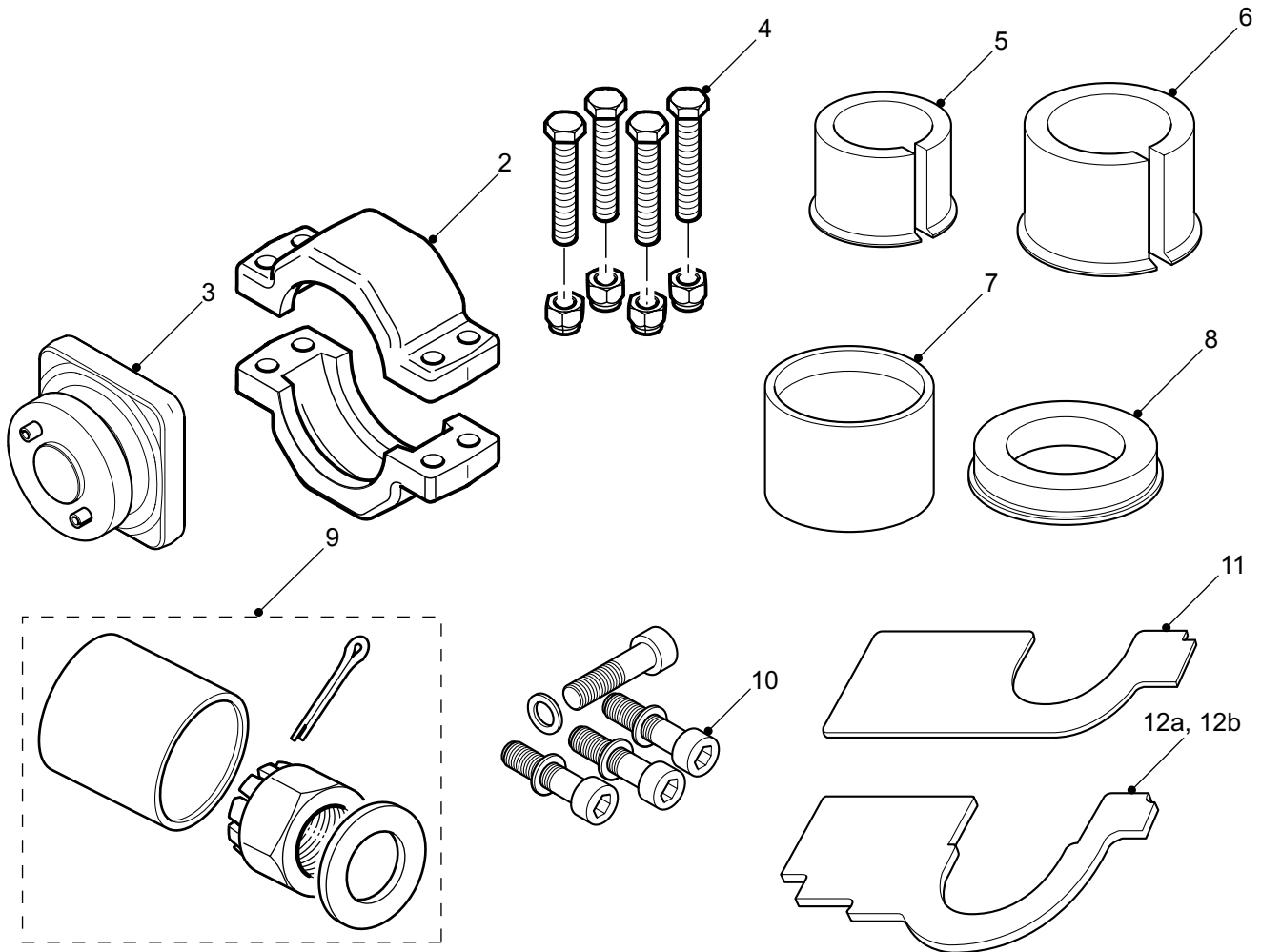
** See Attachment parts

Attachment parts



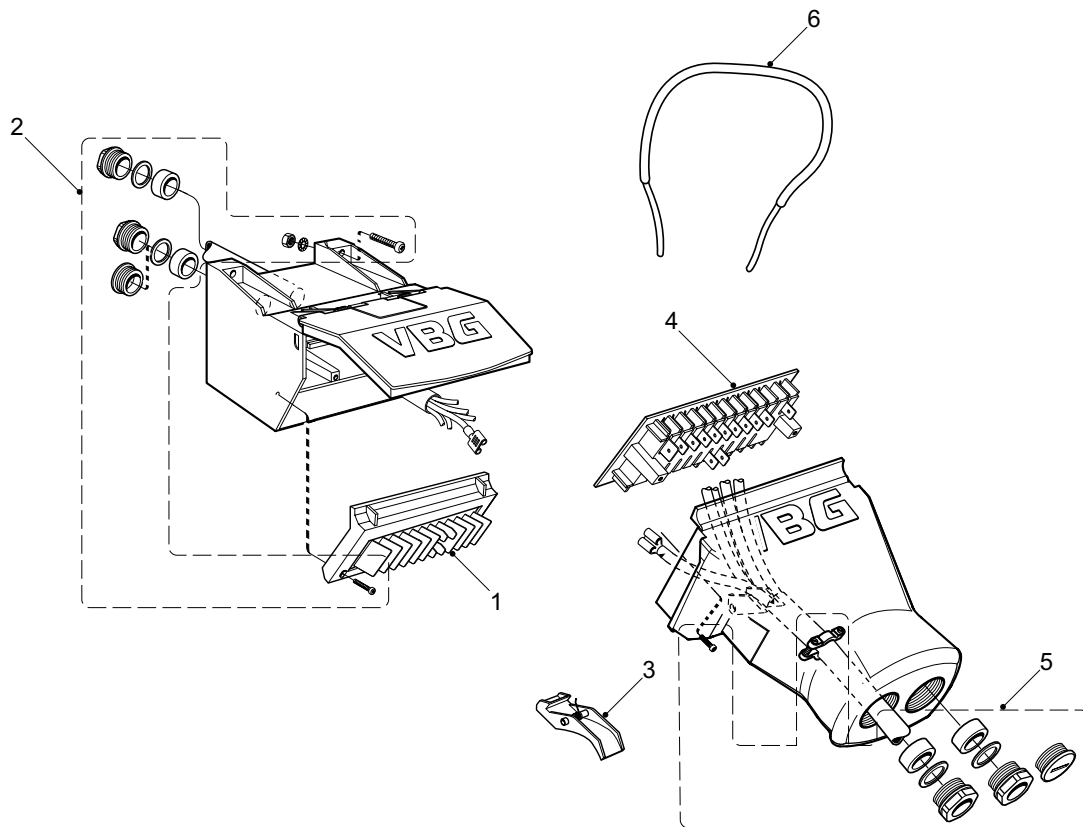
Pos	Part No.	Description	Pos	Part No.	Description
Hinge bracket VBG standard			Hinge bracket type Briab		
1a	25-073478	Hinge bracket with fitted Silent block 32 stamped no: VBG 250638 alt 250734	7	25-013500	Hinge bracket
1b	25-073578	Hinge bracket type Briab stamped no: VBG 250639 alt 250735	8	26-058600	Mounting kit
2a	25-013000	Rear bracket incl. sleeve, for nylon bushing Ø 25-35 mm and Vibra block Ø 32 mm	Hinge bracket type ASJ		
2b	25-013200	Rear bracket incl. sleeve For Vibra block Ø 34 mm	9	26-088500	Hinge bracket
3a	26-050700	Silent block Ø 32 mm	10	26-052800	Mounting kit
3b	26-050800	Silent block Ø 34 mm	Trailer attachment		
4a	26-050300	Nylon bushing Ø 30 mm	11a	18-055100	Bushing, Ø 32 mm without slot
4b	26-050200	Nylon bushing Ø 32 mm	11b	18-055300	Bushing, Ø 34 mm without slot
4c	26-050600	Nylon bushing Ø 34 mm	12a	18-055200	Bushing, Ø 32 mm with slot
4d	26-054000	Nylon bushing Ø 35 mm	12b	18-055400	Bushing Ø 34 mm with slot
5a	18-055600	Spring bolt Ø 30 mm, incl. locking nut	13	26-057300	Drawbar attachment trailer
5b	18-057800	Spring bolt zinc plated Ø 32 mm, incl. locking nut	14	25-064800	Sleeve for welding trailer bracket BRIAB
5c	18-055800	Spring bolt Ø 34 mm, incl. locking nut	15	25-088378	Spacer kit for rear bracket Optimal drawbar
5d	18-055700	Spring bolt Ø 35 mm, incl. locking nut			
6	25-005600	Sleeve, width 100 mm			

Drawbar eyes



Pos	Part No.	Description	Pos	Part No.	Description
1	15-015700	Eye	9	18-002800	Castle nut kit
2	15-022700	Clamp, x2	10	15-019200	Bolt kit for drawbar eye 190 (6 pcs.)
3	15-022500	Monting plate 165x165 mm		15-020600	Bolt kit for drawbar eye 917 (8 pcs.)
4	15-020400	Bolt kit	11	18-004800	Wear gauge for Ø 40 mm coupling/eyes
5	18-013800	Slotted bushing, 40 mm (fits to drawbar eye 17-012900, 17-013000)	12a	18-004700	Wear gauge for Ø 50 and Ø 57 mm couplings/eyes. Plastic
6	18-088800	Slotted bushing, std dim. (fits to drawbar eye 16-089500, 16-088500)	12b	18-004600	Wear gauge For Ø 50 and Ø 57 mm couplings/eyes. Steel
	18-088801	10-p			
7	18-088600	Non-slotted bushing, std dim (fits to drawbar eye 16-091700, 16-089500, 16-088500)			
8	18-010400	Wear ring 57.5 mm (fits to drawbar eye 15-017300, 15-018500, 15-018800, 15-016000, 15-019000)			
	18-010401	10-p			

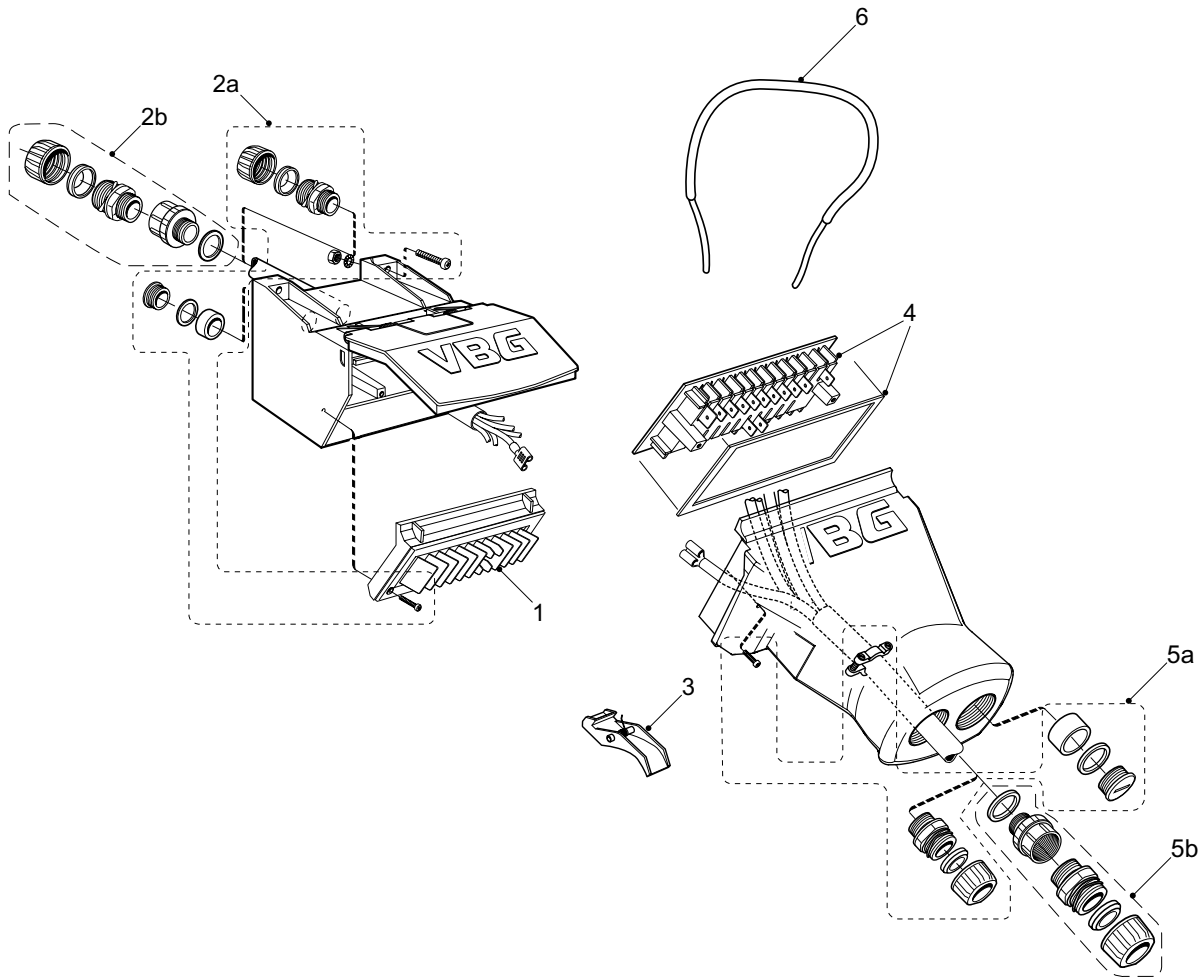
Power plug 14/17



Pos	Part No.	Description	Pos	Part No.	Description
1	28-029100	Insert 14-terminal, incl. screws	3	28-027600	Lock hook
	28-029300	Insert 17-terminal, incl. screws	4	28-033800	Insert 14-terminal, incl. screws
2	28-062500	Mounting kit, includes: Rubber gaskets (2 pcs.) Sealant washers (2 pcs.) Sealant screws (2 pcs.) Plug (1 pcs.) Screw 3,6x12 mm (2 pcs.) Screw M5x25 (3 pcs.) Nuts M6 5 (3 pcs.) Washers 5 mm (3 pcs.)		28-033900	Insert 17-terminal, incl. screws
			5	28-062600	Mounting kit, includes: Rubber gaskets (2 pcs.) Sealant washers (2 pcs.) Sealant screws (2 pcs.) Plug (1 pcs.) Screw 3,6x12 mm (2 pcs.) Hose clamp (1 pcs.)
			6	28-029900	Electrical heating coil

* Older sockets are labelled "VBG VÄNERSBORG SWEDEN PATENTED", while new ones are labelled "VBG DESIGN BY DIAB SWEDEN PATENTED".

Power plug 14/17 SAL



Pos	Part No.	Description	Pos	Part No.	Description
1	28-034200	Insert SAL 14-terminal incl. screws	3	28-027600	Lock hook
	28-034700	Insert SAL 17-terminal incl. screws	4	28-034300	Insert SAL 14-terminal incl. screws
2a	28-063600	Installation kit Ø9-15 mm, includes: SAL fitting (x1) Blind plug (x1) Rubber seal (x1) Sealing washer (x1) Screw 3.6x12 mm (x2) Screw M5x25 (x3) Nut M6 5 (x3) Washers tag 5 mm (x3)	5a	28-063700	Installation kit Ø9-15 mm, includes: SAL fitting (x1) Blind plug (x1) Rubber seal (x1) Sealing washer (x1) Screw 3.6x12 mm (x2) Cable reliver (x1)
2b	28-035900	Installation kit Ø10.5-17 mm, includes: SAL fitting (x1) Adapter PG16-PG21 (x1) Rubber seal (x1)	5b	28-035900	Installation kit Ø10.5-17 mm, includes: SAL fitting (x1) Adapter PG16-PG21 (x1) Rubber seal (x1)
			6	28-029900	Electrical heating coil

VBG GROUP TRUCK EQUIPMENT GMBH

Oberschlesienstrasse 15
DE - 47807 KREFELD
Tel +49 2151 835 0
Fax +49 2151 835 200
www.ringfeder.de

VBG GROUP TRUCK EQUIPMENT AB

Box 1216
SE-462 28 VÄNERSBORG
Tel +46 521 27 77 00
www.vbg.se

VBG GROUP SALES AS

Postboks 94 Leirdal
NO-1009 OSLO
Tel. +47 23 14 16 60
www.vbg.no

VBG GROUP SALES A/S

Industribuen 20-22
DK-5592 Ejby
Tel +45 64 46 19 19
www.vbg.dk

VBG GROUP SALES BENELUX NV

Industrie Zuid Zone 2.2
Lochtemanweg 50
BE- 3580 Beringen
Tel +32 11 458 379
Fax +32 11 458 378
www.vbggroup.be

VBG GROUP SALES LIMITED

Unit 9 Willow Court
West Quay Road
Winwick Quay
Warrington
Cheshire WA2 8UF
Tel +44 1925 234111
www.vbg ltd.co.uk



The strong connection

Member of VBG GROUP
www.vbg.eu

